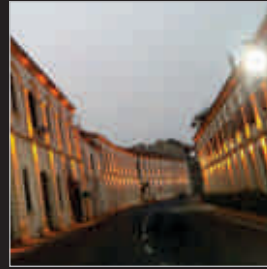
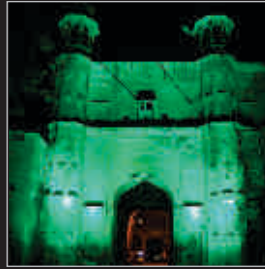




**OPTOL**

SHAPING SMART LIGHTING



## ABOUT US

OPTOL (formerly known as AUTORAMAA) has been designing and manufacturing high quality LED lighting products for more than a decade.

We have in-house capabilities to design, engineer, test and prototype fixtures requiring complicated customisation and reach different segments in energy efficient lighting market.

Our product line covers entire range of indoor and outdoor luminaries, which have been used in various prestigious projects in India and abroad.

Our scope does not end with supply. A trained technical team provides customers with supervision, installation and back end support for a trouble free execution and commissioning of projects.

Our growing customer base world-wide is a reflection of our commitment to providing cutting edge products and it's our constant endeavour to provide professionally quality service at all times.

At Optol, all we do is LED...

## OP-LLTS



**Lumen Output:** 130 lm/W

**CRI:** ≥80

**Color Temperature:** 3000K, 4000K, 5000K, 6000K

**Beam Angle:** 25°/60°/90°/120°

**Length with power option:**

570mm 16W/26W/32W

1417mm 32W/40W/65W/80W

2832mm 65W/80W/120W

4248mm 99W/120W

A Continuous-row LED lighting system could be created only by a trunking unit and an LED luminaire. It appears as a consistent continuous-row system, without any visual interruption or different reflectors. The Luminaire and trunking are perfectly matched to each other.

All possible light distribution patterns can be created with various optical components.

LED linear trunking system is an energy-efficient, low maintenance alternative to traditional linear fluorescent in a variety of industrial, commercial and light assembly applications.

Benefits:

- Cost-effective light-line solution for industrial, commercial and other applications
- Good quality of light with high lumen output to meet different requirements
- Easy to order and install, requiring less time, reducing packaging waste and complexity
- Flexible solution

### Connectors



X Node Connector

T Node Connector

L Node Connector

### Installation



Chain

Cord

Rod

Surface Mounted



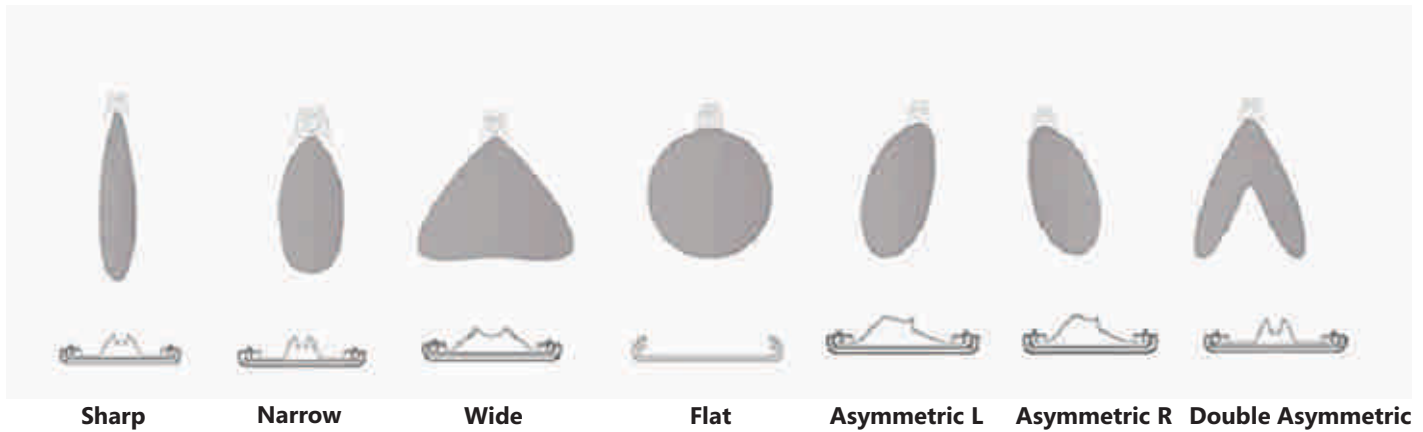
# LED LINEAR TRUNKING SYSTEM

## OPTICS

With seven optical lens, OPTOL LED linear trunking system has all the features to address lighting applications in industrial and commercial sector. It helps people work precisely to increase operational efficiency and at the same time save energy in lighting applications.



No Yellow Shadow



Sharp

Narrow

Wide

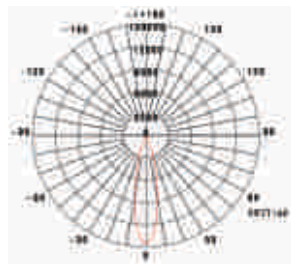
Flat

Asymmetric L

Asymmetric R

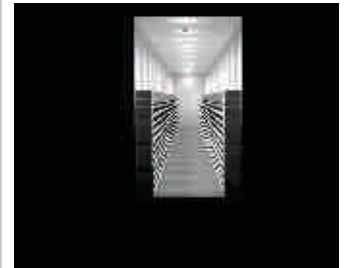
Double Asymmetric

### Sharp Angle, 25°

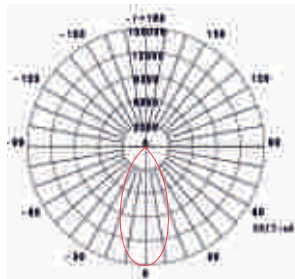


The sharp angle gives high intensity lights, so the goods can be easily and clearly seen. In this way, it reduces searching time, increases warehouse operation efficiency, which indirectly helps for fast delivery to clients.

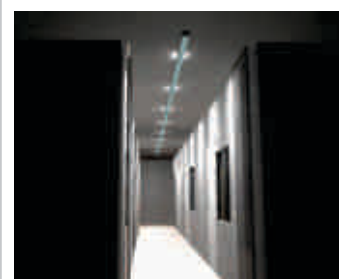
With uniform illumination, it helps to light up a shelf continuously.



### Narrow Angle, 60°

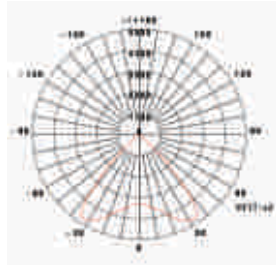


This narrow angle is ideal for corridors, aisles and passages of hospital, schools, office building etc. It gives well-distributed illumination, not too bright or too dark for general lighting in corridors. With blank lamp, it saves more energy & is easy to install.

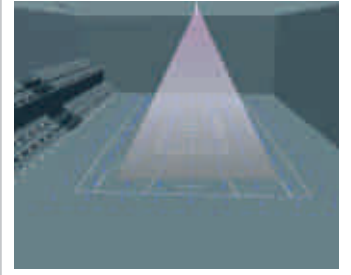


OPTICS

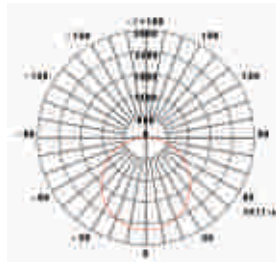
Wide Angle, 90°



Wide angle is ideal for lighting big areas. With this the light can cover areas with good & even distribution of light. It is best for dining halls, Indoor sports like badminton courts, Car parking etc.



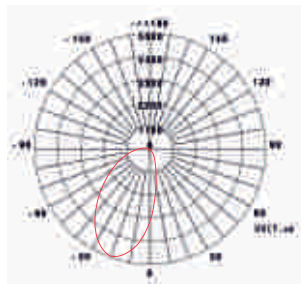
Flat Angle, 120°



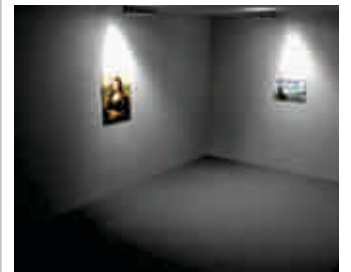
It is ideal for office building, school, airport or railway station etc. The light is well distributed with low glare and bright enough for study or work.



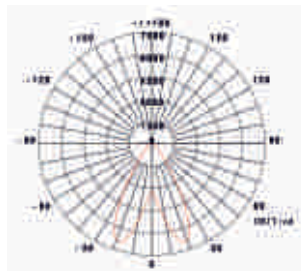
Assymmetric Angle, L & R



The asymmetric beam angle works like wall washer , can directly put all light on one side of the shelf surface or the walls. It's designed for presentation and display of the retail areas, where only one side needs to be lighted up .



Dual Assymmetric Angle



This beam is especially designed for shelf presentation and retailing areas for supermarket and grocery stores. It's double asymmetrical light distribution, which emphasizes on shelf surfaces on both side, but ignores less important areas like passages. So the less important areas will be not as bright as the shelf surface with goods on display. Therefore, customers' attention will be focused directly to the goods at the first sight.



INDOOR LIGHTS



## LED LINEAR PROFILES

OPTOL develops and manufactures high quality profiles with german diffusers having high reflectance in comparison to standard diffusers.

Recessed, corner, pendant and surface mount profiles can be used innovatively to design lighting fixtures in any shape and size.

### DESIGN & TECHNOLOGIES

- Profiles prolong LED strip's life span
- High index of colour rendition (CRI more than 80 Ra)
- Simplicity of mount and installation
- Infinite possibilities for creativity

### STRICT SELECTION OF PRODUCTION MATERIAL

- Plastic used for diffusers has the lowest degree in inflammability
- Use of high quality aluminum alloys



## RECESSED LINEAR PROFILES

### OP-RC-8832



#### Accessories:

LED Strip  
60 W | 5500 lm  
cold, natural, warm

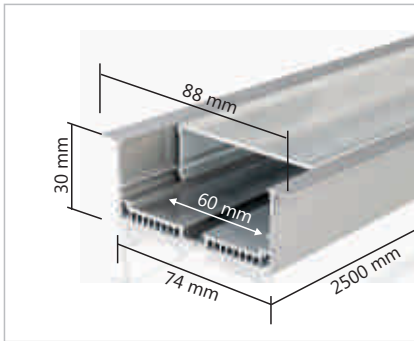
End cap aluminum



Mounting clip steel  
size: 80x40 mm



#### Dimensions



#### Application



#### Colour



### OP-RC-6550



#### Accessories:

LED Strip  
40 W | 4100 lm  
cold, natural, warm

Mounting clip



End cap aluminum



Connectors



Connector T



Connector L

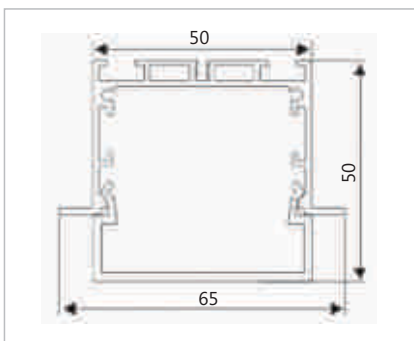


Connector X



Connector IL

#### Dimensions



#### Application



#### Colour





# RECESSED LINEAR PROFILES

## OP-RC-6535



### Accessories:

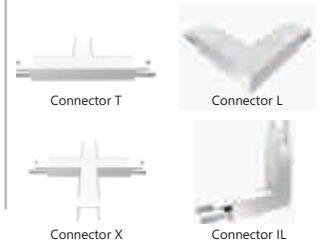
LED Strip  
40 W | 4100 lm  
cold, natural, warm  
Mounting clip



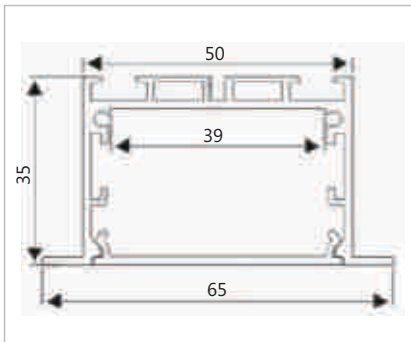
### End cap aluminum



### Connectors



### Dimensions



### Application



### Colour



## OP-RC-6545



### Accessories:

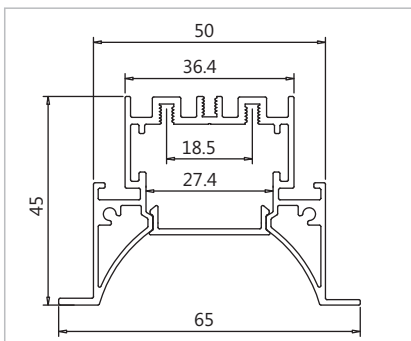
LED Strip  
40 W | 4100 lm  
cold, natural, warm

### End cap aluminum



Mounting clip steel  
size: 55x40 mm

### Dimensions



### Application

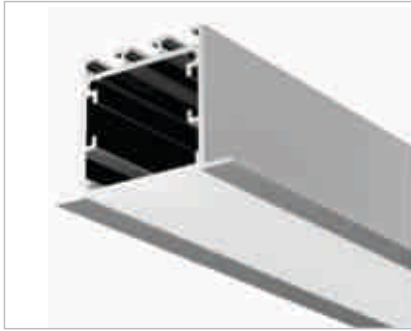


### Colour



# RECESSED LINEAR PROFILES

## OP-RC-5035



### Accessories:

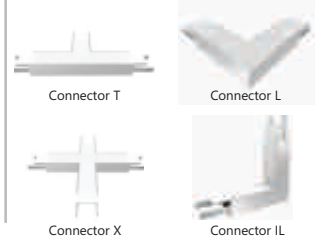
LED Strip  
30 W | 3440 lm  
cold, natural, warm  
Mounting clip



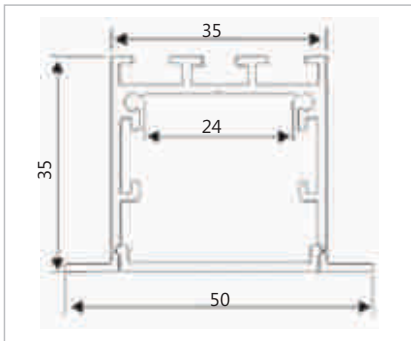
### End cap aluminum



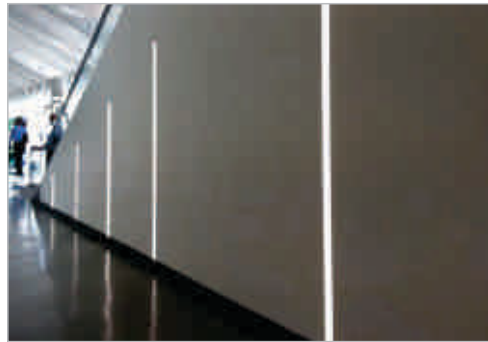
### Connectors



### Dimensions



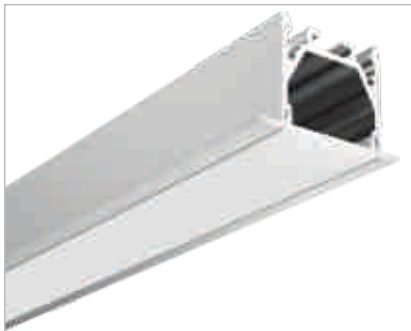
### Application



### Colour



## OP-RC-3525



### Accessories:

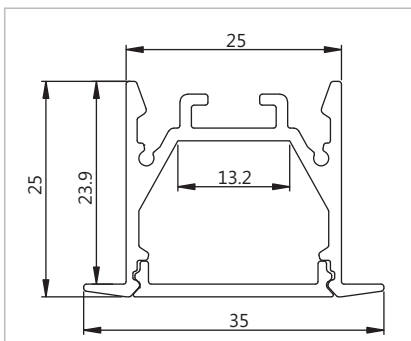
LED Strip  
30 W | 4100 lm  
cold, natural, warm

### End cap aluminum



Mounting clip steel  
size: 55x40 mm

### Dimensions



### Application



### Colour



## RECESSED LINEAR PROFILES

### OP-RC-3020



#### Accessories:

LED Strip  
20 W | 1900 lm  
cold, natural, warm

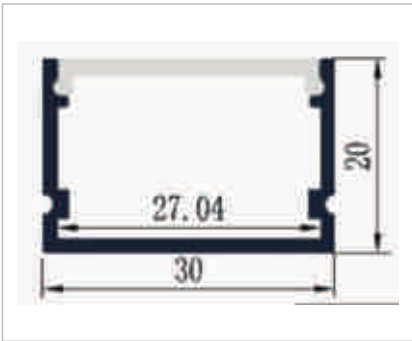
End cap aluminum



Mounting clip steel  
size: 55x40 mm



#### Dimensions



#### Application



#### Colour



### OP-RC-2613



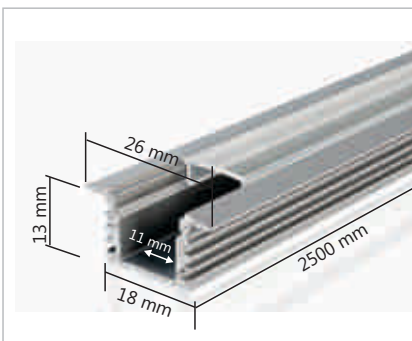
#### Accessories:

LED Strip  
14 W | 1440 lm  
cold, natural, warm

End cap aluminum



#### Dimensions



#### Application



#### Colour



## RECESSED LINEAR PROFILES

### OP-RC-2126



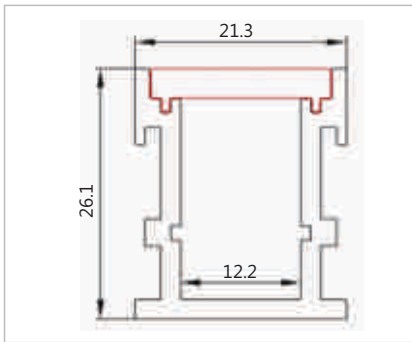
#### Accessories:

LED Strip  
20 W | 1900 lm  
cold, natural, warm

End cap



#### Dimensions



#### Application



#### Colour



### OP-RC-1808



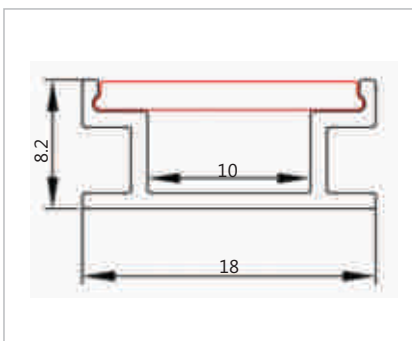
#### Accessories:

LED Strip  
10 W | 960 lm  
cold, natural, warm

End cap



#### Dimensions



#### Application



#### Colour



INDOOR LIGHTS

## RECESSED LINEAR PROFILES

### OP-RC-1715



#### Accessories:

LED Strip  
14 W | 1440 lm  
cold, natural, warm

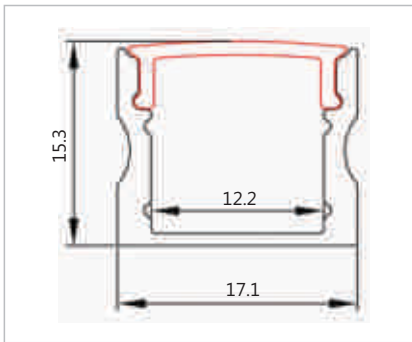
#### End cap



#### Mounting clip aluminium



#### Dimensions



#### Application



#### Colour



### OP-RC-1013



#### Accessories:

LED Strip  
10 W | 960 lm  
cold, natural, warm

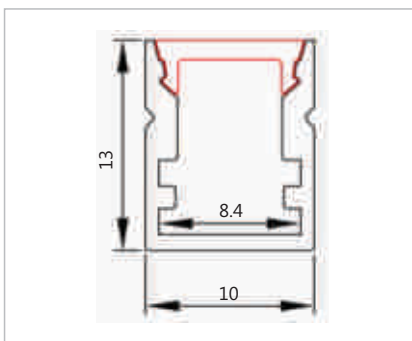
#### End cap



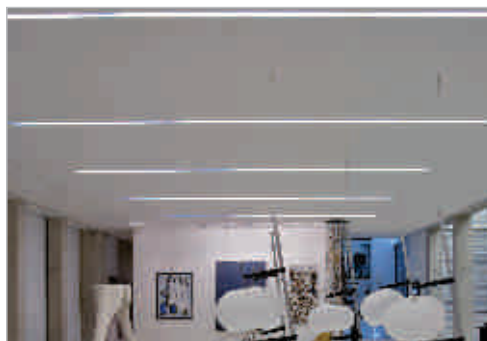
#### Mounting clip steel



#### Dimensions



#### Application



#### Colour



## RECESSED LINEAR PROFILES

### OP-RC-0709



#### Accessories:

LED Strip  
10 W | 960 lm  
cold, natural, warm

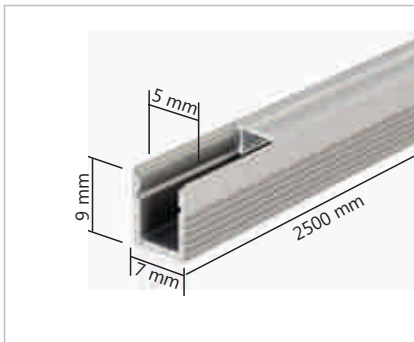
End cap aluminum



Mounting clip  
aluminium  
size: 9 x 15 mm



#### Dimensions



#### Application



#### Colour



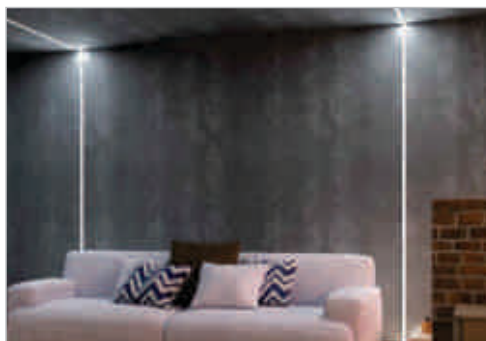
### OP-RC-0625



#### Accessories:

LED Strip  
10 W | 960 lm  
cold, natural, warm

#### Application



#### Dimensions



#### Colour



INDOOR LIGHTS



# RECESSED LINEAR PROFILES

## OP-RC-101C



**Accessories:**  
LED Strip  
40 W | 4100 lm  
cold, natural, warm

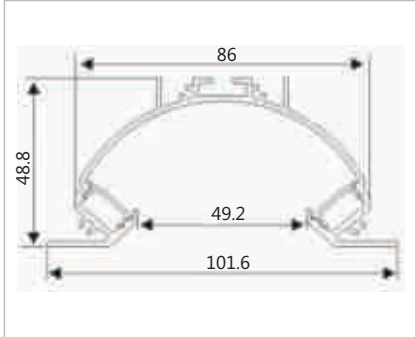
End cap



Mounting clip  
aluminium



### Dimensions



### Application



### Colour



## RECESSED LINEAR PROFILES

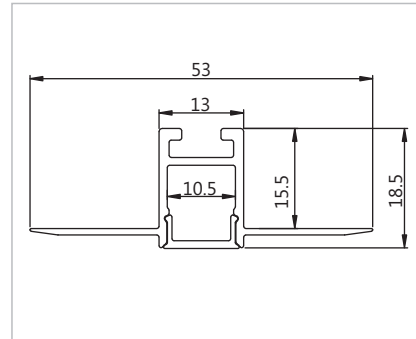
### OP-RC-5318



#### Accessories:

LED Strip  
10 W | 960 lm  
cold, natural, warm

#### Dimensions



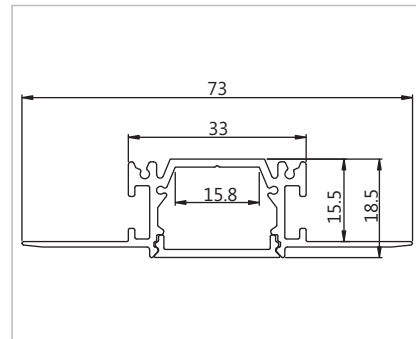
### OP-RC-7318



#### Accessories:

LED Strip  
20 W | 1800 lm  
cold, natural, warm

#### Dimensions



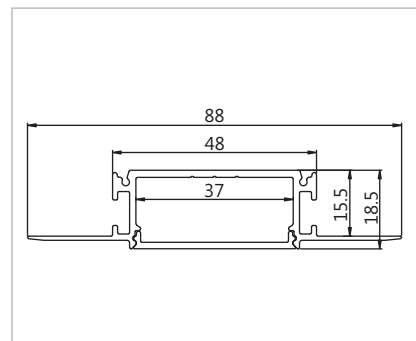
### OP-RC-8818



#### Accessories:

LED Strip  
30 W | 270 lm  
cold, natural, warm

#### Dimensions



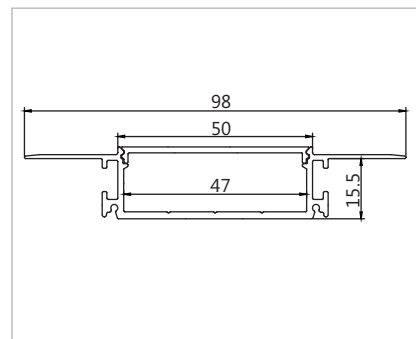
### OP-RC-10415



#### Accessories:

LED Strip  
40 W | 3600 lm  
cold, natural, warm

#### Dimensions



INDOOR LIGHTS

## SURFACE/SUSPENDED LINEAR PROFILES

### OP-SS-9358



#### Accessories:

LED Strip  
40 W | 4000 lm  
cold, natural, warm

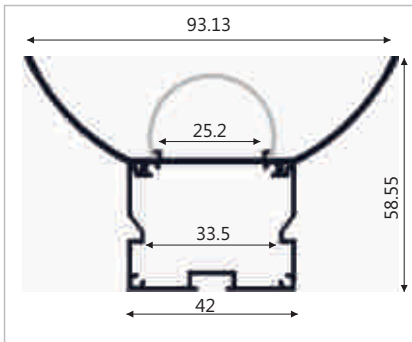
End cap aluminum



Mounting clip steel



#### Dimensions



#### Application



#### Colour



### OP-SS-7477



#### Accessories:

LED Strip  
60 W | 5500 lm  
cold, natural, warm

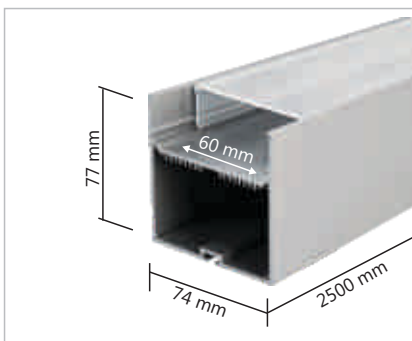
End cap aluminum



Suspension cable  
Standard length 2 m  
Other sizes on request



#### Dimensions



#### Application



#### Colour



# SURFACE/SUSPENDED LINEAR PROFILES

## OP-SS-7432



### Accessories:

LED Strip  
60 W | 5500 lm  
cold, natural, warm

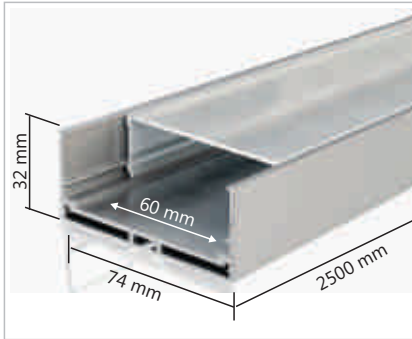
End cap aluminum



Suspension cable  
Standard length 2 m  
Other sizes on request



### Dimensions



### Application



### Colour



## OP-SS-5075C



### Accessories:

LED Strip  
40W | 5000 lm  
cold, natural, warm

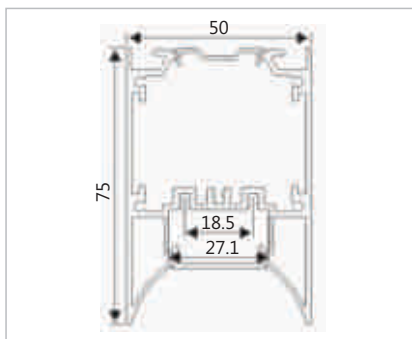
End cap aluminum



Suspension cable  
Standard length 2 m  
Other sizes on request



### Dimensions



### Application



### Colour



INDOOR LIGHTS

## SURFACE/SUSPENDED LINEAR PROFILES

### OP-SS-4970



#### Accessories:

LED Strip  
40 W | 4100 lm  
cold, natural, warm

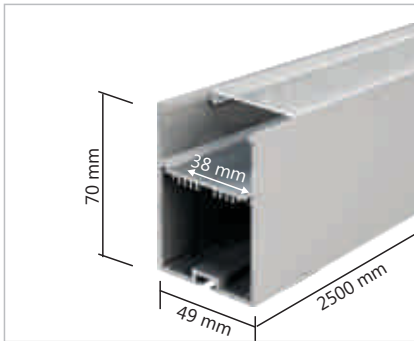
End cap aluminum



Suspension cable  
Standard length 2 m  
Other sizes on request



#### Dimensions



#### Application



#### Colour



### OP-SS-4932



#### Accessories:

LED Strip  
40 W | 4100 lm  
cold, natural, warm

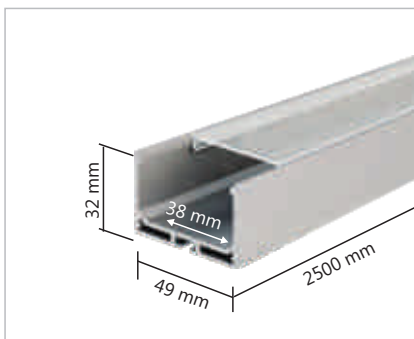
End cap aluminum



Suspension cable  
Standard length 2 m  
Other sizes on request



#### Dimensions



#### Application

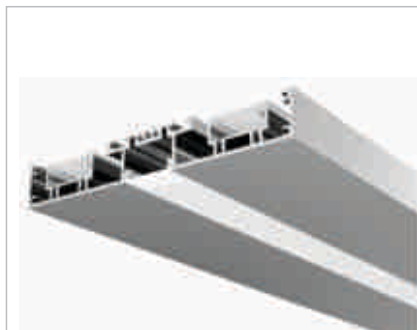


#### Colour



## SURFACE/SUSPENDED LINEAR PROFILES

### OP-SS-15023



#### Accessories:

LED Strip  
40 W | 5000 lm  
cold, natural, warm

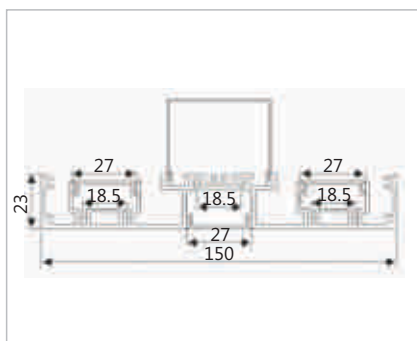
End cap aluminum



Suspension cable  
Standard length 2 m  
Other sizes on request



#### Dimensions



#### Application



#### Colour



### OP-TUBO-40



#### Accessories:

LED Strip  
20 W | 1900 lm  
cold, natural, warm

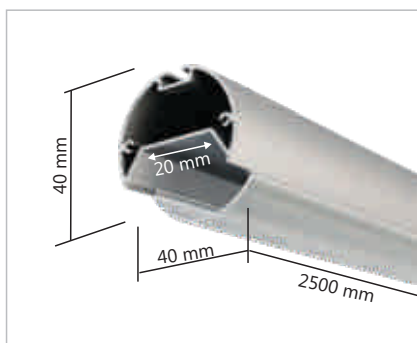
End cap aluminum



Suspension cable  
Standard length 2 m  
Other sizes on request



#### Dimensions



#### Application



#### Colour





# SURFACE/SUSPENDED LINEAR PROFILES

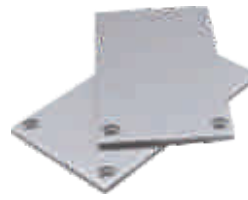
## OP-SS-3875



### Accessories:

LED Strip  
40 W | 4100 lm  
cold, natural, warm

### End cap aluminum



### Connectors



Connector T



Connector L

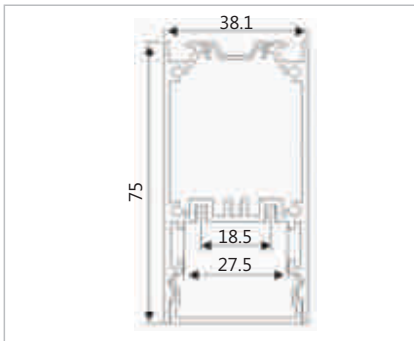


Connector X



Connector IL

### Dimensions



### Application



Suspension cable  
Standard length 2 m  
Other sizes on request



### Colour



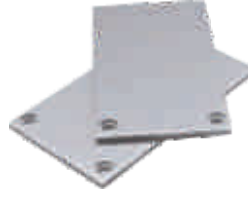
## OP-SS-3875D



### Accessories:

LED Strip  
40 W | 4100 lm  
cold, natural, warm

### End cap aluminum



### Connectors



Connector T



Connector L

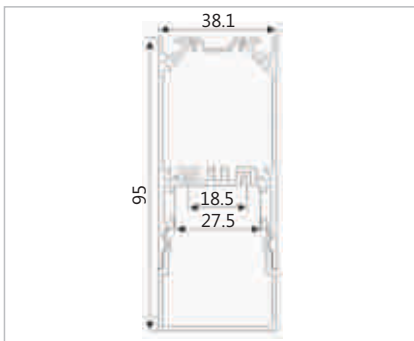


Connector X



Connector IL

### Dimensions



### Application



Suspension cable  
Standard length 2 m  
Other sizes on request



### Colour



## SURFACE/SUSPENDED LINEAR PROFILES

### OP-SS-3745



#### Accessories:

LED Strip  
14W | 1440 lm  
cold, natural, warm

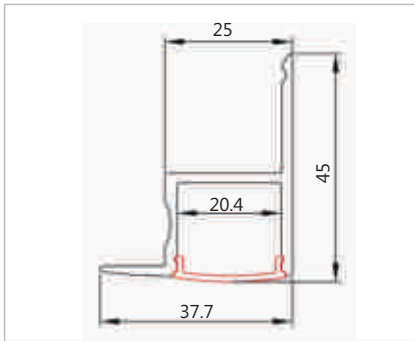
End cap aluminum



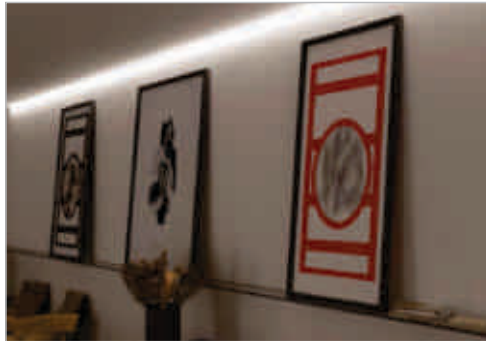
Suspension cable  
Standard length 2 m  
Other sizes on request



#### Dimensions



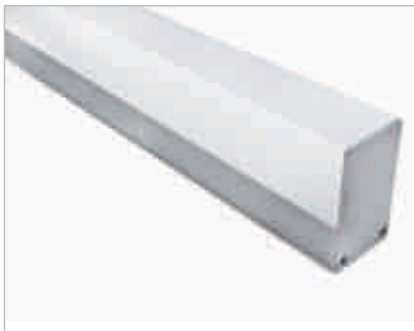
#### Application



#### Colour



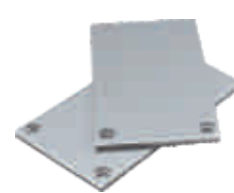
### OP-SS-3561



#### Accessories:

LED Strip  
40 W | 4100 lm  
cold, natural, warm

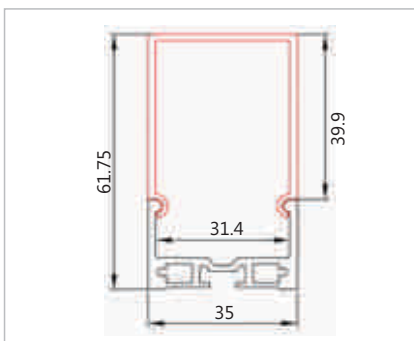
End cap aluminum



Suspension cable  
Standard length 2 m  
Other sizes on request



#### Dimensions



#### Application



#### Colour



## SURFACE/SUSPENDED LINEAR PROFILES

### OP-SS-2036



#### Accessories:

LED Strip  
20 W | 1900 lm  
cold, natural, warm

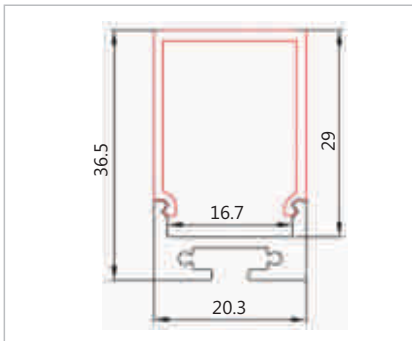
End cap aluminum



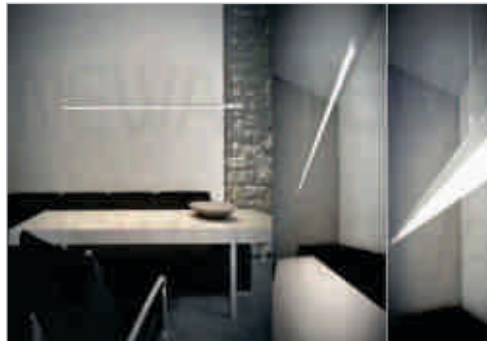
Suspension cable  
Standard length 2 m  
Other sizes on request



#### Dimensions



#### Application



#### Colour



### OP-SS-2027



#### Accessories:

LED Strip  
20 W | 1900 lm  
cold, natural, warm

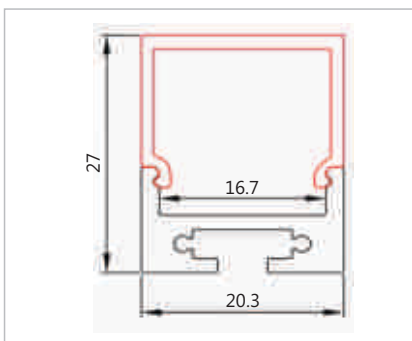
End cap aluminum



Suspension cable  
Standard length 2 m  
Other sizes on request



#### Dimensions



#### Application



#### Colour



## SURFACE/SUSPENDED LINEAR PROFILES

### OP-SS-1920



#### Accessories:

LED Strip  
14 W | 1440 lm  
cold, natural, warm

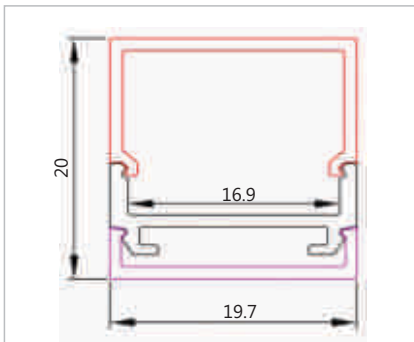
End cap aluminum



Suspension cable  
Standard length 2 m  
Other sizes on request



#### Dimensions



#### Application



#### Colour



### OP-SS-1920C



#### Accessories:

LED Strip  
14 W | 1440 lm  
cold, natural, warm

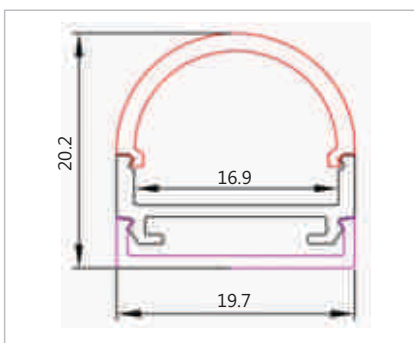
End cap aluminum



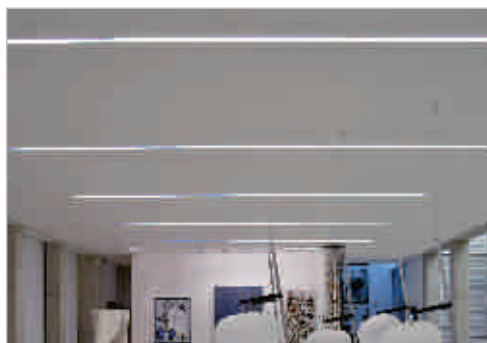
Suspension cable  
Standard length 2 m  
Other sizes on request



#### Dimensions



#### Application



#### Colour



## SURFACE/SUSPENDED LINEAR PROFILES

### OP-SS-1911



#### Accessories:

LED Strip  
20 W | 1900 lm  
cold, natural, warm

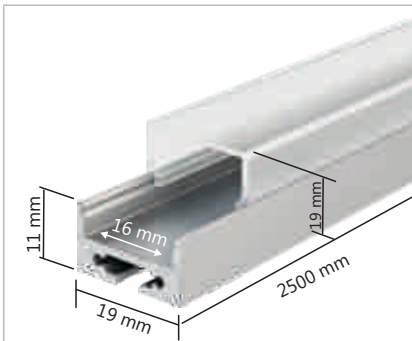
End cap aluminum



Suspension cable  
Standard length 2 m  
Other sizes on request



#### Dimensions



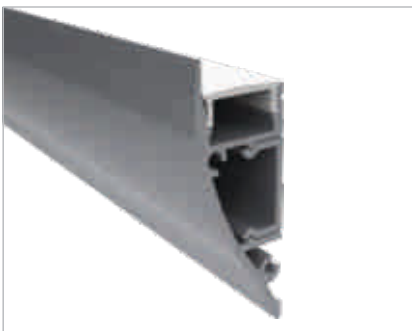
#### Application



#### Colour



### OP-SS-1743



#### Accessories:

LED Strip  
20 W | 1900 lm  
cold, natural, warm

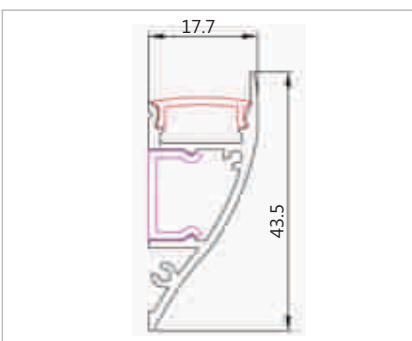
End cap aluminum



Suspension cable  
Standard length 2 m  
Other sizes on request



#### Dimensions



#### Application



#### Colour



## SURFACE/SUSPENDED LINEAR PROFILES

### OP-SS-1616



#### Accessories:

LED Strip  
20 W | 1900 lm  
cold, natural, warm

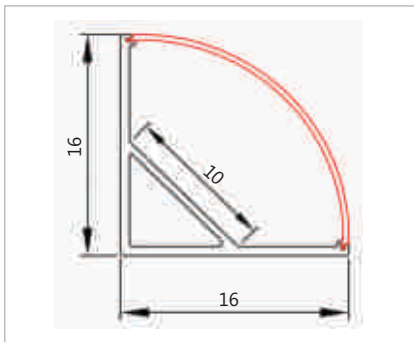
End cap aluminum



Suspension cable  
Standard length 2 m  
Other sizes on request



#### Dimensions



#### Application



#### Colour



### OP-SS-1680



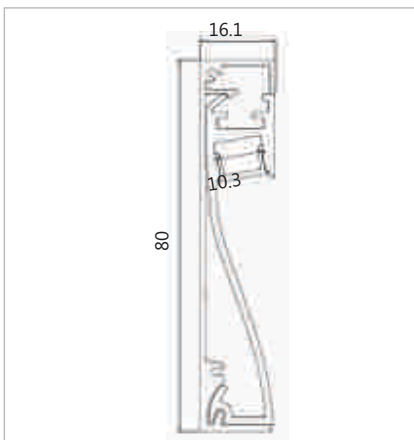
#### Accessories:

LED Strip  
20 W | 1900 lm  
cold, natural, warm

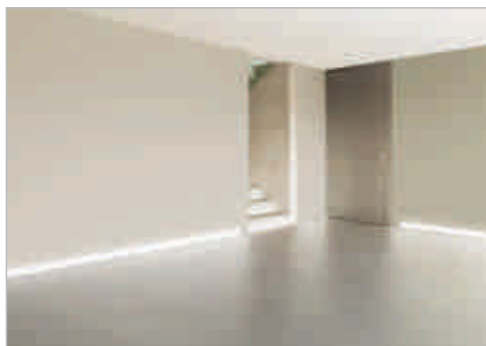
End cap aluminum



#### Dimensions



#### Application



#### Colour





# MAGNETIC TRACK LIGHTS

## Magnetic Track



## Recessed Accessories



## Corners



## Pendant Set



## OP-M-STAR001



## OP-M-STAR003



## OP-M-STAR006



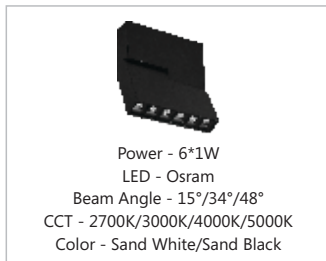
## OP-M-STAR012



## OP-ML-003



## OP-ML-006



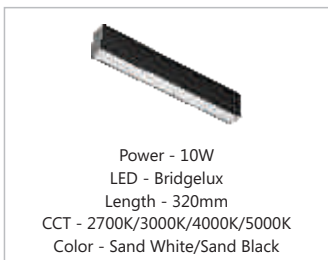
## OP-ML-012



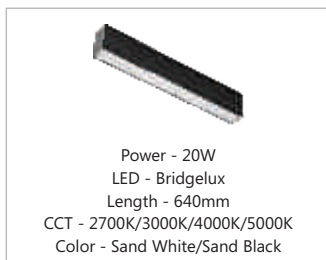
## OP-ML-320



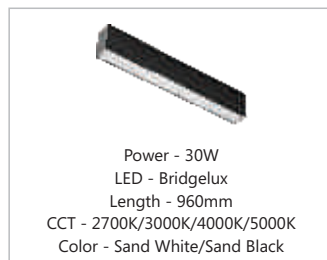
## OP-M-320



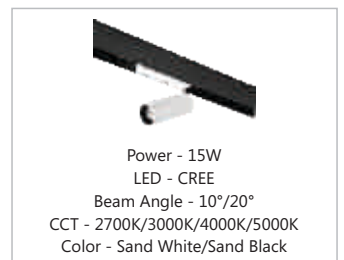
## OP-M-640



## OP-M-960



## OP-M-SUN



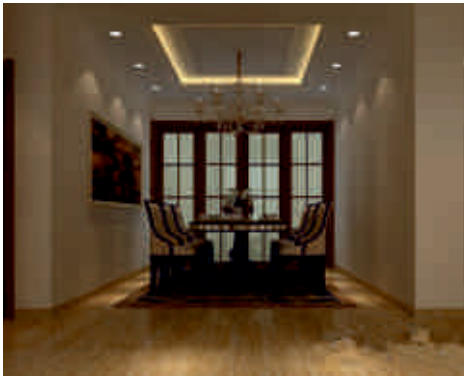
## CEILING DOWNLIGHTS

Since its inception, Optol has developed a range of professional lighting fixtures, offering high quality solutions for indoor and outdoor installations.

All Optol downlights offer high performance, exceptional quality, minimum size fixtures with high luminous efficiency, equipped with high chromatic rendering index LEDs with the utmost care for heat dissipation.

What we offer :

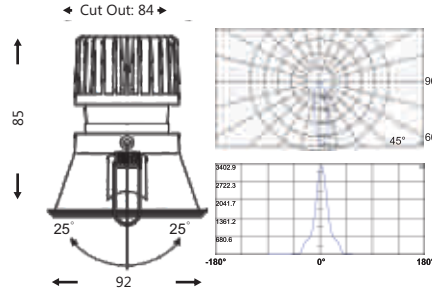
- Diverse range of LED downlights for residential, commercial and retail applications
- Creative innovation culminating in many unique products
- Solid back up support underpinned by more than 12 years of working with LED technology
- Professional Lighting design service for Residential / Commercial and Industrial projects



INDOOR LIGHTS

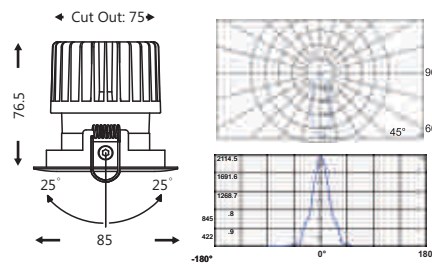
# CEILING DOWNLIGHTS

## OP-001



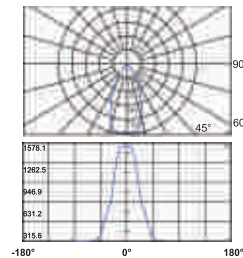
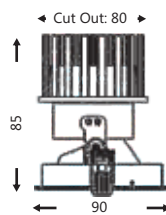
Specs.	OP-001-8	OP-001-10
Max. Power	8 W	10 W
LED	Bridgelux/Citizen	
CCT	2700K/3000K/4000K/5000K	
Lumen	900 lm	1100 lm
CRI	≥ 80	≥ 80
Beam Angle	15°/24°/38°	

## OP-002



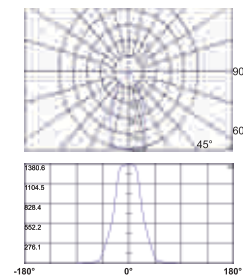
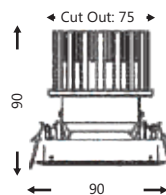
Specs.	OP-002-8	OP-002-11	OP-002-15
Max. Power	8 W	11 W	15 W
LED	Bridgelux/Citizen		
CCT	2700K/3000K/4000K/5000K		
Lumen	900 lm	1200 lm	1650 lm
CRI	≥ 80	≥ 80	≥ 80
Beam Angle	15°/24°/38°		

## OP-003



Specs.	OP-003-8	OP-003-10
Max. Power	8 W	10 W
LED	Bridgelux/Citizen	
CCT	2700K/3000K/4000K/5000K	
Lumen	900 lm	1100 lm
CRI	≥ 80	≥ 80
Beam Angle	15°/24°/38°	

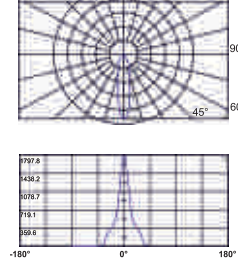
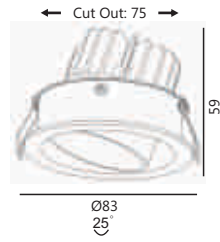
## OP-004



Specs.	OP-004-10	OP-004-12
Max. Power	10 W	12 W
LED	Bridgelux/Citizen	
CCT	2700K/3000K/4000K/5000K	
Lumen	1100 lm	1320 lm
CRI	≥ 80	≥ 80
Beam Angle	24°/32°/45°	

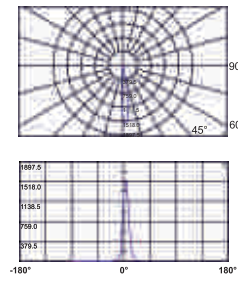
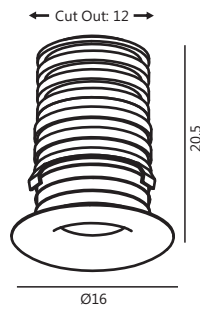
# CEILING DOWNLIGHTS

## OP-005



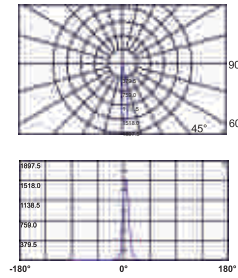
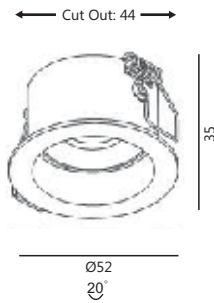
Specs.	OP-005
Max. Power	7 W
LED	Citizen COB
CCT	2700K/3000K/4000K
Lumen	595 lm
CRI	≥ 80
Beam Angle	24°/36°/60°

## OP-006



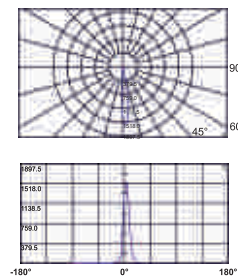
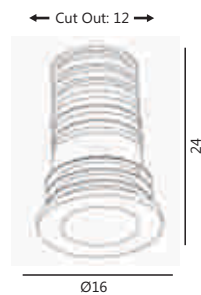
Specs.	OP-006
Max. Power	1 W
LED	Philips/Cree
CCT	2700K/3000K/4000K
Lumen	90 lm
CRI	≥ 80
Beam Angle	50°

## OP-007



Specs.	OP-007
Max. Power	1 W/2 W
LED	Philips/Cree
CCT	2700K/3000K/4000K
Lumen	120 lm
CRI	≥ 80
Beam Angle	25°/40°/60°

## OP-008



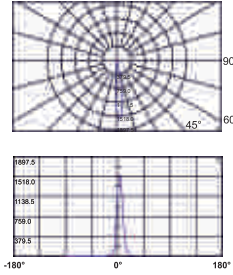
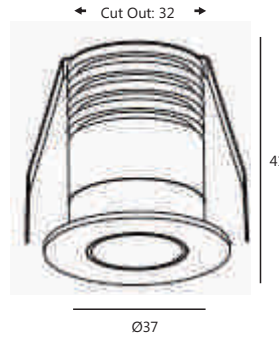
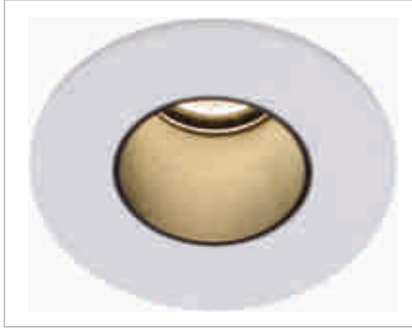
Specs.	OP-008
Max. Power	1 W
LED	Cree/Philips
CCT	2700K/3000K/4000K
Lumen	70 lm
CRI	≥ 80
Beam Angle	50°

INDOOR LIGHTS



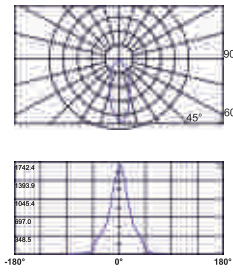
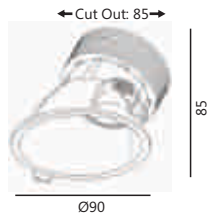
# CEILING DOWNLIGHTS

## OP-009



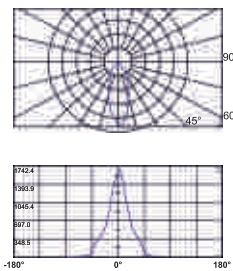
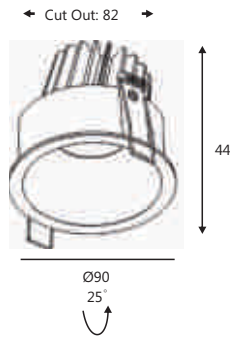
Specs.	OP-009
Max. Power	1 W
LED	Bridgelux/Cree
CCT	2700K/3000K/4000K/5000K
Lumen	70 lm
CRI	≥ 80
Beam Angle	24°/36°

## OP-010



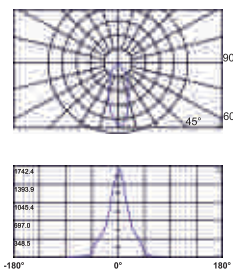
Specs.	OP-010
Max. Power	13 W
LED	Citizen COB
CCT	2700K/3000K/4000K
Lumen	1300 lm
CRI	≥ 80
Beam Angle	15°/24°/36°

## OP-011



Specs.	OP-011
Max. Power	10 W
LED	Bridgelux/Citizen
CCT	2700K/3000K/4000K/5000K
Lumen	1100 lm
CRI	≥ 80
Beam Angle	24°/36°/60°

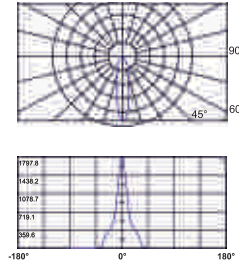
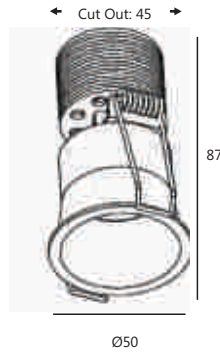
## OP-012



Specs.	OP-012
Max. Power	10 W
LED	Bridgelux/Citizen
CCT	2700K/3000K/4000K/5000K
Lumen	1100 lm
CRI	≥ 80
Beam Angle	24°/36°/60°

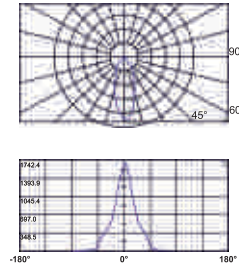
# CEILING DOWNLIGHTS

## OP-013



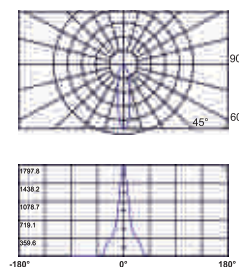
Specs.	OP-013
Max. Power	7 W
LED	Bridgelux/Citizen
CCT	2700K/3000K/4000K/5000K
Lumen	770 lm
CRI	≥ 80
Beam Angle	24°/30°/60°

## OP-014



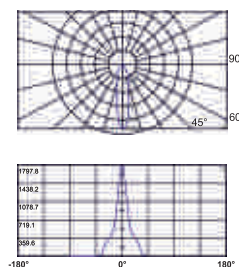
Specs.	OP-014
Max. Power	10 W
LED	Bridgelux/Citizen
CCT	2700K/3000K/4000K/5000K
Lumen	1100 lm
CRI	≥ 80
Beam Angle	24°/36°/60°

## OP-015



Specs.	OP-015
Max. Power	7 W
LED	Bridgelux/Citizen
CCT	2700K/3000K/4000K/5000K
Lumen	770 lm
CRI	≥ 80
Beam Angle	24°/40°/60°

## OP-016



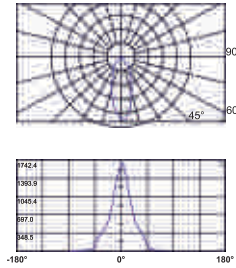
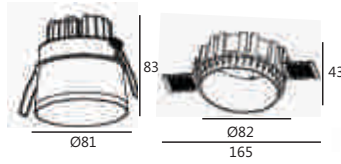
Specs.	OP-016
Max. Power	7 W
LED	Bridgelux/Citizen
CCT	2700K/3000K/4000K/5000K
Lumen	770 lm
CRI	≥ 80
Beam Angle	24°/40°/60°

INDOOR LIGHTS



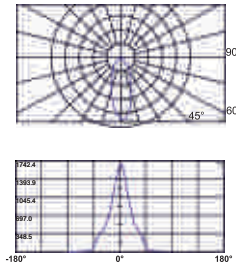
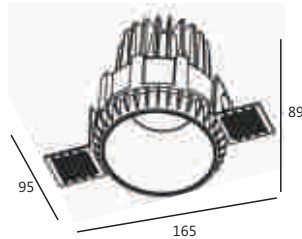
# CEILING DOWNLIGHTS

## OP-017TRM



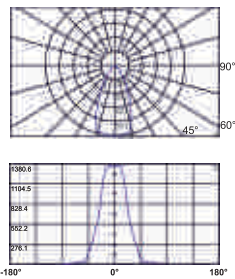
Specs.	OP-017TRM
Max. Power	10 W
LED	Bridgelux/Citizen
CCT	2700K/3000K/4000K/5000K
Lumen	1100 lm
CRI	≥ 80
Beam Angle	24°/36°/60°

## OP-018TRM



Specs.	OP-018TRM
Max. Power	13 W
LED	Bridgelux/Citizen
CCT	2700K/3000K/4000K/5000K
Lumen	1300 lm
CRI	≥ 80
Beam Angle	15°/24°/36°/60°

## OP-019TRM



Specs.	OP-019TRM-3.5	OP-019TRM-12	OP-019TRM-15
Max. Power	3.5 W	12 W	15 W
LED	Bridgelux/Citizen		
CCT	2700K/3000K/4000K/5000K		
Lumen	276 lm	990 lm	1275 lm
CRI	≥ 80	≥ 80	≥ 80
Beam Angle	36°		

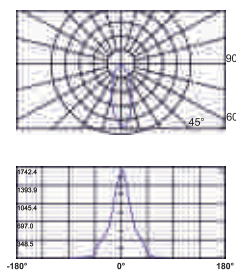
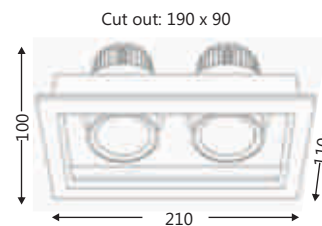
OP-019TRM-3.5

OP-019TRM-12

OP-019TRM-15



## OP-020

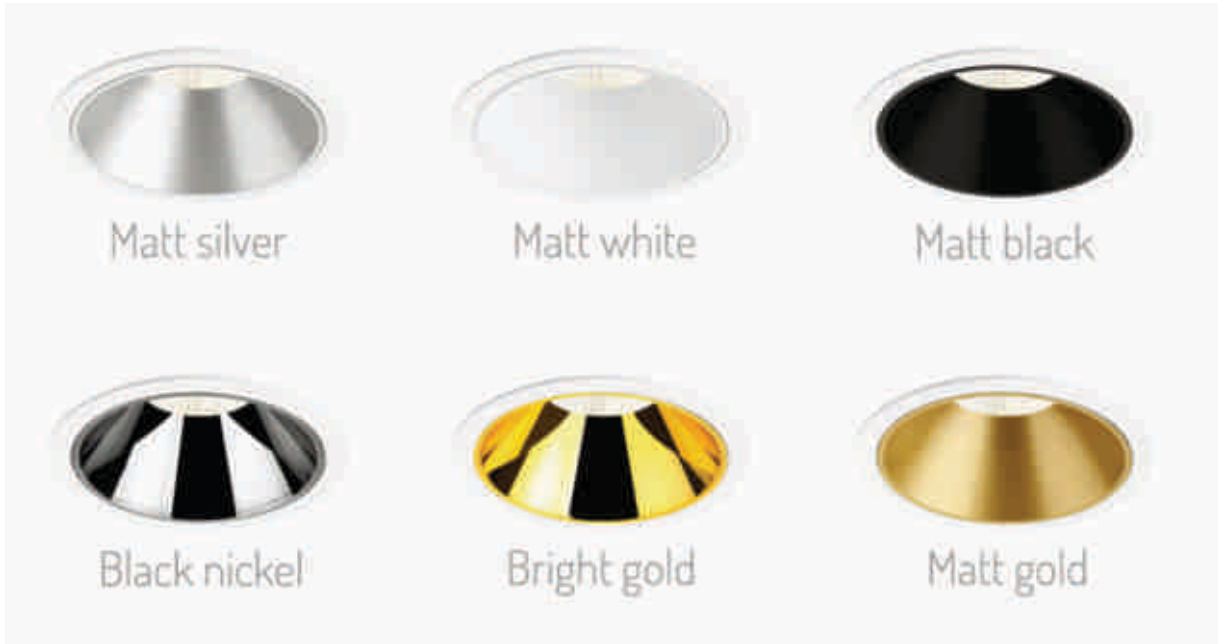


Specs.	OP-020
Max. Power	2 x 15 W
LED	Bridgelux/Citizen
CCT	3000K/4000K/5000K
Lumen	3300 lm
CRI	≥ 80
Beam Angle	15°/24°/38°

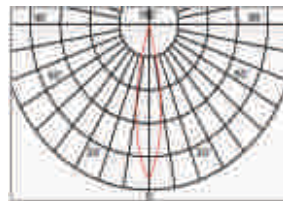
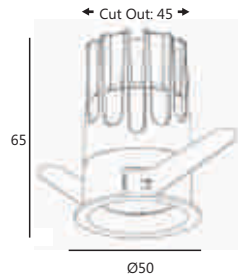
## ARCHITECTURAL DOWNLIGHTS

These specially designed Italian Downlight Series have various features.

- Eliminates halo spots and double aura
- 60° cut off angle keeps the light out of glare zone
- Exchangeable anti-glare magnetic reflector
- Effective ventilation to accelerate upward convection of air

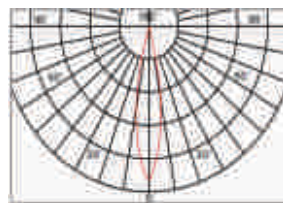
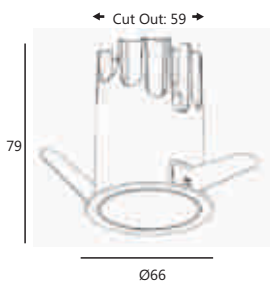


### OP-021



Specs.	OP-021
Max. Power	5 W
LED	Citizen/Bridgelux
CCT	2700K/3000K/4000K/5000K
Lumen	400±50 lm
CRI	≥ 80
Beam Angle	15°

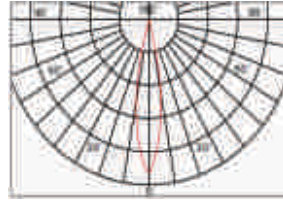
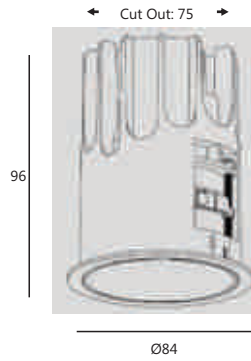
### OP-022



Specs.	OP-022
Max. Power	7 W
LED	Citizen/Bridgelux
CCT	2700K/3000K/4000K/5000K
Lumen	500±50 lm
CRI	≥ 80
Beam Angle	15°

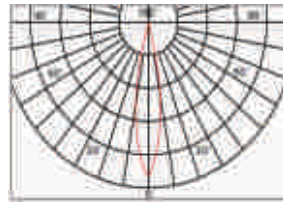
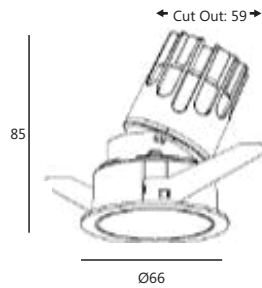
# ARCHITECTURAL DOWNLIGHTS

## OP-023



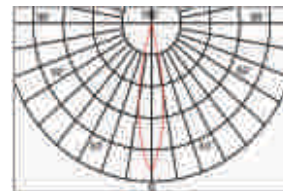
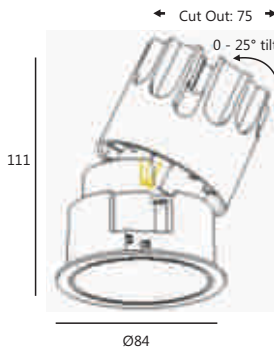
Specs.	OP-023
Max. Power	15 W
LED	Citizen/Bridgelux
CCT	2700K/3000K/4000K/5000K
Lumen	1650 lm
CRI	≥ 80
Beam Angle	15°/24°

## OP-024



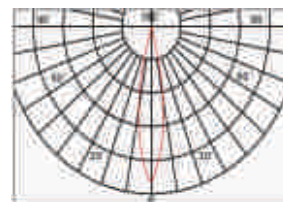
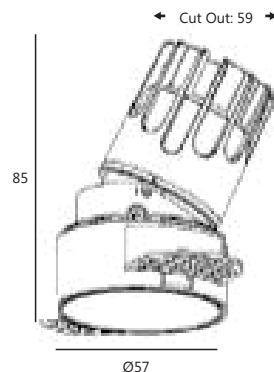
Specs.	OP-024
Max. Power	7 W
LED	Citizen/Bridgelux
CCT	2700K/3000K/4000K/5000K
Lumen	500±50 lm
CRI	≥ 80
Beam Angle	15°

## OP-025



Specs.	OP-025
Max. Power	15 W
LED	Citizen/Bridgelux
CCT	2700K/3000K/4000K/5000K
Lumen	1650 lm
CRI	≥ 80
Beam Angle	15°/24°

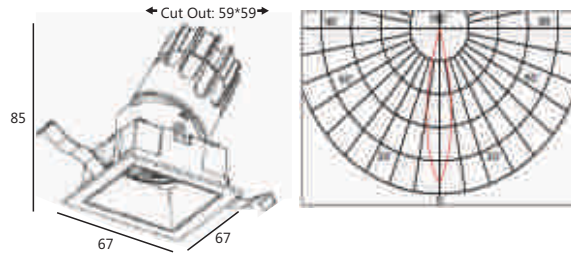
## OP-026



Specs.	OP-026
Max. Power	7 W
LED	Citizen/Bridgelux
CCT	2700K/3000K/4000K/5000K
Lumen	500 lm
CRI	≥ 80
Beam Angle	15°

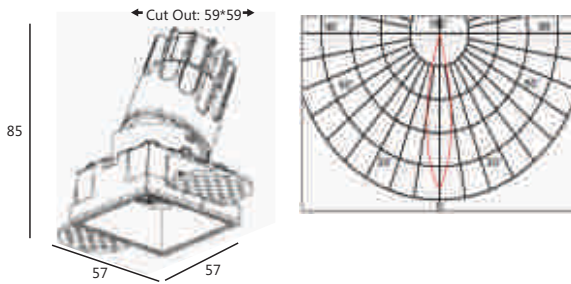
# ARCHITECTURAL DOWNLIGHTS

## OP-027



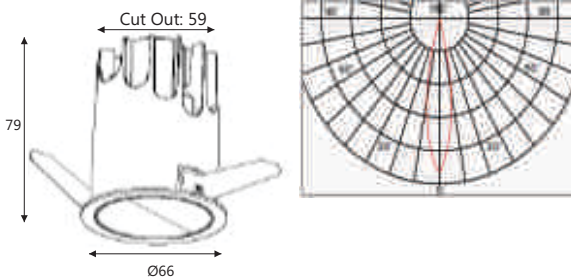
Specs.	OP-027
Max. Power	7 W
LED	Citizen/Bridgelux
CCT	2700K/3000K/4000K/5000K
Lumen	500 lm
CRI	≥ 80
Beam Angle	15°

## OP-028



Specs.	OP-028
Max. Power	7 W
LED	Citizen/Bridgelux
CCT	2700K/3000K/4000K/5000K
Lumen	500 lm
CRI	≥ 80
Beam Angle	15°

## OP-029



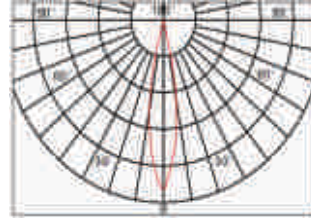
Specs.	OP-029
Max. Power	7 W
LED	Citizen/Bridgelux
CCT	2700K/3000K/4000K/5000K
Lumen	500 lm
CRI	≥ 80
Beam Angle	15°

INDOOR LIGHTS

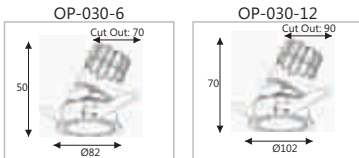


# CEILING DOWNLIGHTS

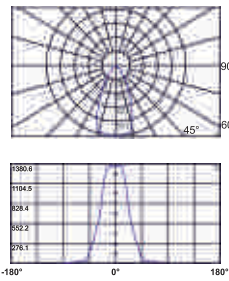
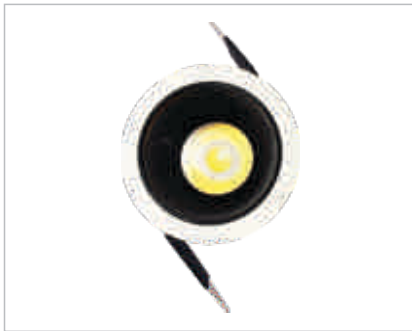
## OP-030



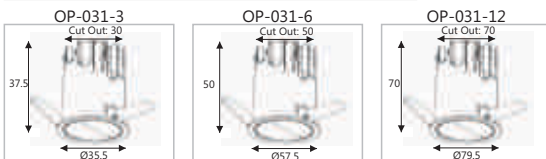
Specs.	OP-030-6	OP-030-12
Max. Power	6 W	12 W
LED	Bridgelux/Citizen	
CCT	2700K/3000K/4000K/5000K	
Lumen	432 lm	876 lm
CRI	≥ 80	≥ 80
Beam Angle	24°/38°(LENS)	24°/38°/45°(LENS)



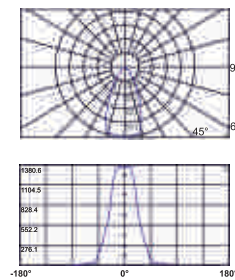
## OP-031



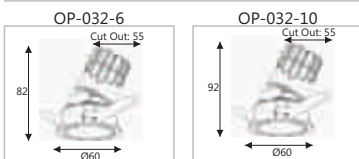
Specs.	OP-031-3	OP-031-6	OP-031-12
Max. Power	3 W	6 W	12 W
LED	Bridgelux/Citizen		
CCT	2700K/3000K/4000K/5000K		
Lumen	213 lm	432 lm	876 lm
CRI	≥ 80	≥ 80	≥ 80
Beam Angle	24°/38°(LENS)		24°/38°/45°(LENS)



## OP-032

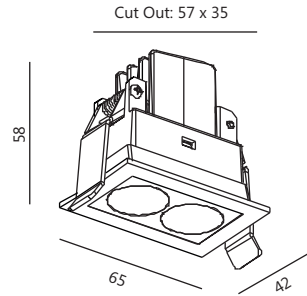


Specs.	OP-032-6	OP-032-10
Max. Power	6 W	10 W
LED	Bridgelux/Citizen	
CCT	2700K/3000K/4000K/5000K	
Lumen	420 lm	700 lm
CRI	≥ 80	≥ 80
Beam Angle	24°/38°	



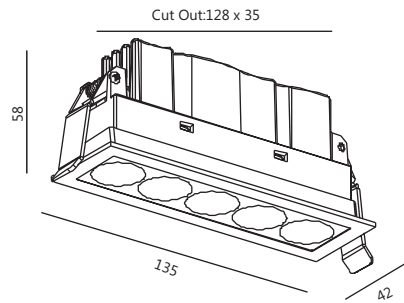
# CEILING DOWNLIGHTS

## OP-LD02



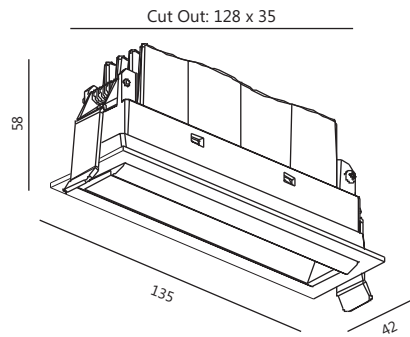
Specs.	OP-LD02
Max. Power	4.2 W
LED	Cree
CCT	2700K/3000K/4000K
Class IP	IP20
CRI	> 80
Beam Angle	15°/30°/50°

## OP-LD05



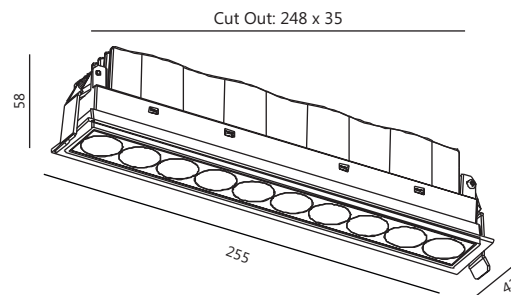
Specs.	OP-LD05
Max. Power	10.5 W
LED	Cree
CCT	2700K/3000K/4000K
Class IP	IP20
CRI	> 80
Beam Angle	15°/30°/50°

## OP-LDWW05



Specs.	OP-LDWW05
Max. Power	10.5 W
LED	Cree
CCT	2700K/3000K/4000K
Class IP	IP20
CRI	> 80
Beam Angle	15°/30°/50°

## OP-LD010

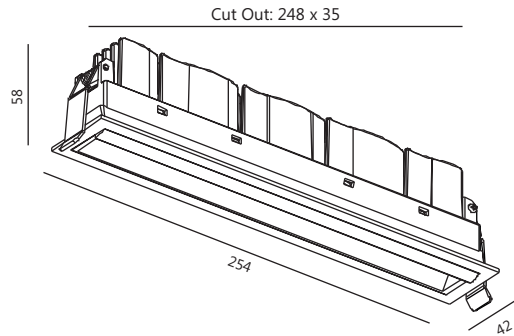
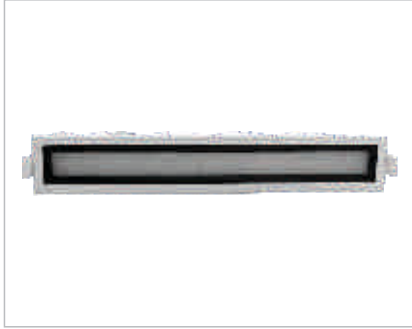


Specs.	OP-LD010
Max. Power	21 W
LED	Cree
CCT	2700K/3000K/4000K
Class IP	IP20
CRI	> 80
Beam Angle	15°/30°/50°

INDOOR LIGHTS

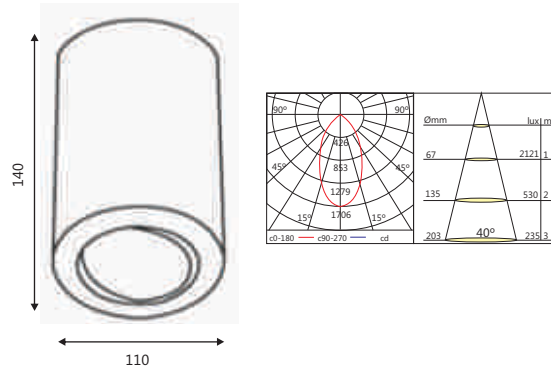
# CEILING DOWNLIGHTS

## OP-LDWW010



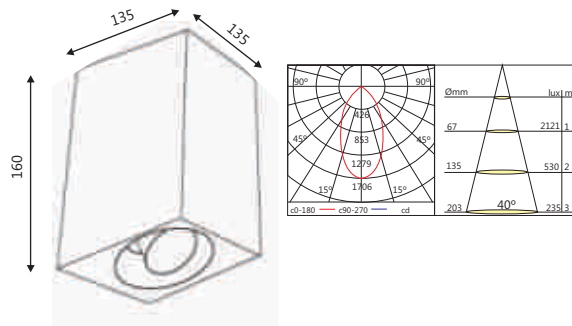
Specs.	OP-LDWW010
Max. Power	21 W
LED	Cree
CCT	2700K/3000K/4000K
Class IP	IP20
CRI	> 80
Beam Angle	15°/30°/50°

## OP-01S1



Specs.	OP-01S1
Max. Power	18 W
LED	Bridgelux/Cree
CCT	2700K/3000K/4000K/5000K
Lumen	1653 lm
CRI	≥ 80
Beam Angle	12°/24°/40°

## OP-01S2



Specs.	OP-01S2
Max. Power	18 W
LED	Bridgelux/Cree
CCT	2700K/3000K/4000K/5000K
Lumen	1653 lm
CRI	≥ 80
Beam Angle	12°/24°/40°

## OP-01S3



Specs.	OP-01S3-10	OP-01S3-20	OP-01S3-30
Max. Power	10 W	20 W	30 W
LED	Cree		
CCT	3000K/4000K/6000K		
Lumen	1000 lm	2000 lm	3000 lm
CRI	≥ 80	≥ 80	≥ 80
Beam Angle	24°/30°/40°		
Dimensions	ø55 x H-195	ø65 x H-230	ø75 x H-270



# DIY CEILING DOWNLIGHTS

**OP-M-01**



SIZE:φ50\*H30  
POWER – 6W

**OP-M-02**



SIZE:φ50\*H50  
POWER – 10W

**OP-M-03**



SIZE:φ50\*H70  
POWER – 12W

**OP-M-04**



SIZE:φ50\*H62  
POWER – 10W

**OP-DIY-01**



Over Size:φ82  
Cutting Size:φ72

**OP-DIY-02**



Over Size:φ95  
Cutting Size:φ90

**OP-DIY-03**



Over Size:φ85  
Cutting Size:φ75

**OP-DIY-04**



Over Size:φ95  
Cutting Size:φ76

**OP-DIY-05**



Over Size:L90\*W90\*H42(53)  
Cutting Size:L80\*W80

**OP-DIY-06**



Over Size:φ93\*H45(51)  
Cutting Size:φ82

**OP-DIY-07**

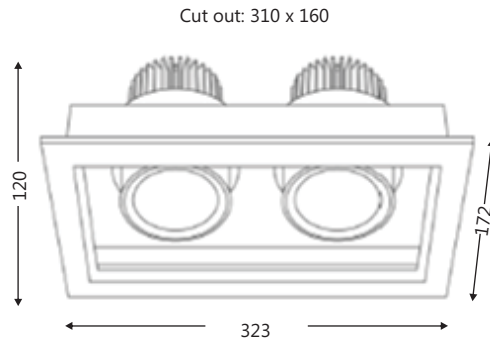


Over Size:φ90\*H36  
Cutting Size:φ75

INDOOR LIGHTS

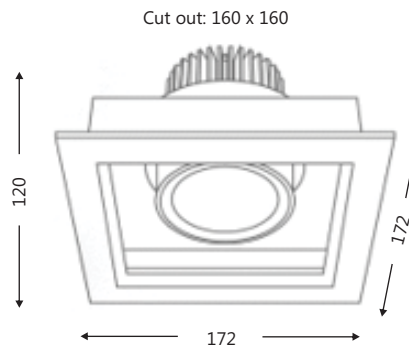
## RETAIL LIGHTS

### OP-R1



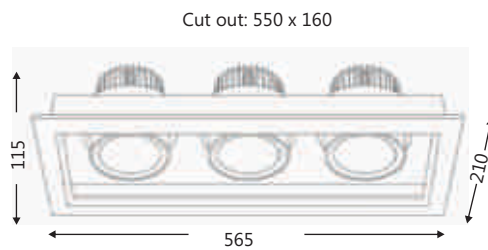
Specs.	OP-R1
Max. Power	30 W x 2
LED	Bridgelux/Citizen
CCT	2700K/3000K/4000K/5000K
Lumen	5512 lm
CRI	≥ 80
Beam Angle	15°/24°/40°

### OP-R2



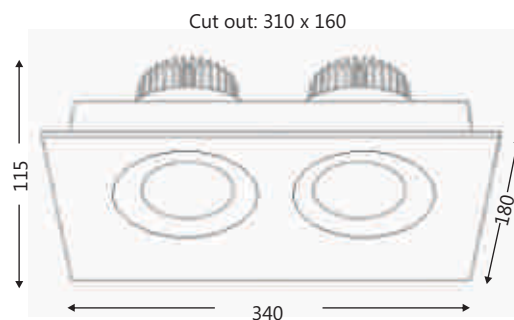
Specs.	OP-R2
Max. Power	30 W
LED	Bridgelux/Citizen
CCT	2700K/3000K/4000K/5000K
Lumen	2756 lm
CRI	≥ 80
Beam Angle	15°/24°/40°

### OP-R3



Specs.	OP-R3
Max. Power	35 W x 3
LED	Bridgelux/Citizen
CCT	2700K/3000K/4000K/5000K
Lumen	9645 lm
CRI	≥ 80
Beam Angle	12°/24°/40°

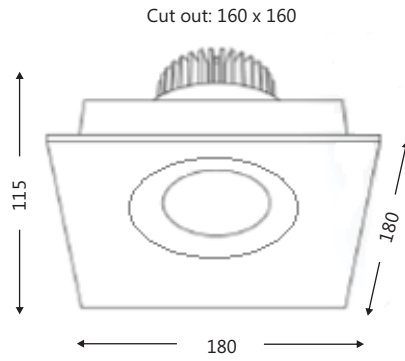
### OP-R4



Specs.	OP-R4
Max. Power	35 W x 2
LED	Bridgelux/Citizen
CCT	2700K/3000K/4000K/5000K
Lumen	6431 lm
CRI	≥ 80
Beam Angle	12°/24°/40°

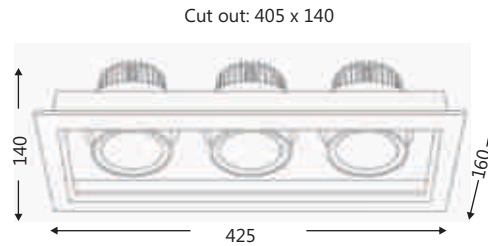
# RETAIL LIGHTS

## OP-R5



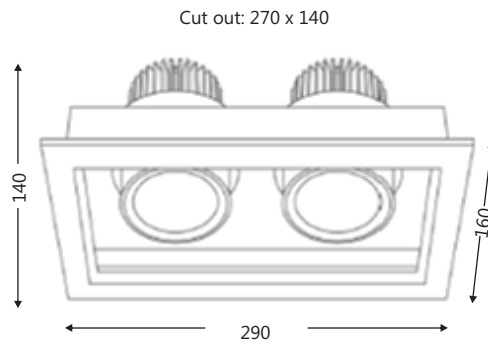
Specs.	OP-R5
Max. Power	35 W
LED	Bridgelux/Citizen
CCT	2700K/3000K/4000K/5000K
Lumen	3215 lm
CRI	≥ 80
Beam Angle	12°/24°/40°

## OP-R6



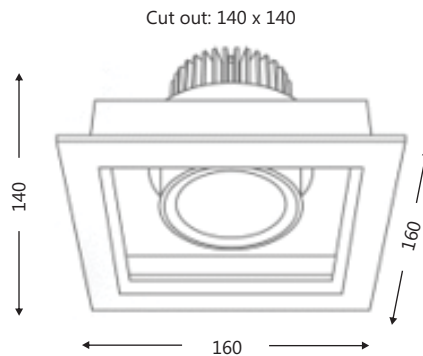
Specs.	OP-R6
Max. Power	30 W x 3
LED	Bridgelux/Citizen
CCT	2700K/3000K/4000K/5000K
Lumen	8268 lm
CRI	≥ 80
Beam Angle	12°/24°/40°

## OP-R7



Specs.	OP-R7
Max. Power	30 W x 2
LED	Bridgelux/Citizen
CCT	2700K/3000K/4000K/5000K
Lumen	5512 lm
CRI	≥ 80
Beam Angle	12°/24°/40°

## OP-R8

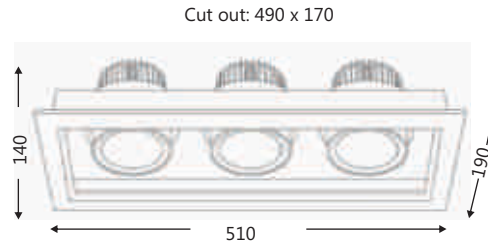
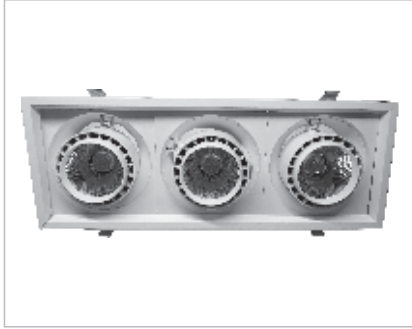


Specs.	OP-R8
Max. Power	30 W
LED	Bridgelux/Citizen
CCT	2700K/3000K/4000K/5000K
Lumen	2756 lm
CRI	≥ 80
Beam Angle	12°/24°/40°

INDOOR LIGHTS

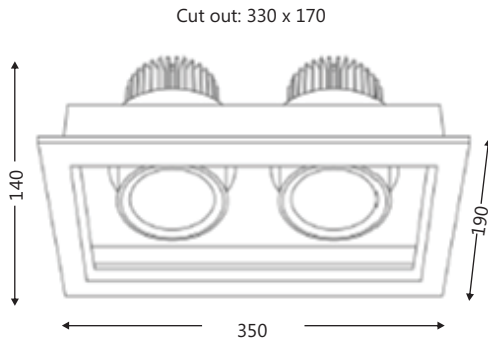
# RETAIL LIGHTS

## OP-R9



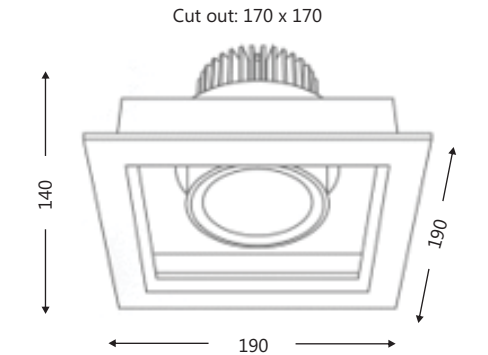
Specs.	OP-R9
Max. Power	35 W x 3
LED	Bridgelux/Citizen
CCT	2700K/3000K/4000K/5000K
Lumen	9645 lm
CRI	≥ 80
Beam Angle	12°/24°/40°

## OP-R10



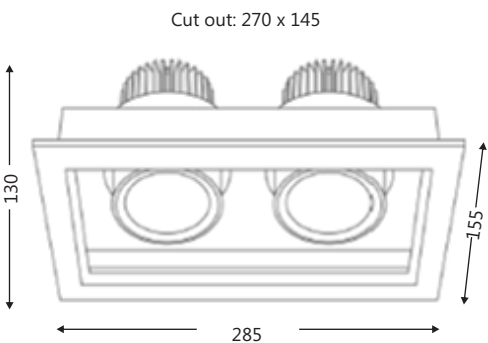
Specs.	OP-R10
Max. Power	35 W x 2
LED	Bridgelux/Citizen
CCT	2700K/3000K/4000K/5000K
Lumen	6431 lm
CRI	≥ 80
Beam Angle	12°/24°/40°

## OP-R11



Specs.	OP-R11
Max. Power	35 W
LED	Bridgelux/Citizen
CCT	2700K/3000K/4000K/5000K
Lumen	3215 lm
CRI	≥ 80
Beam Angle	12°/24°/40°

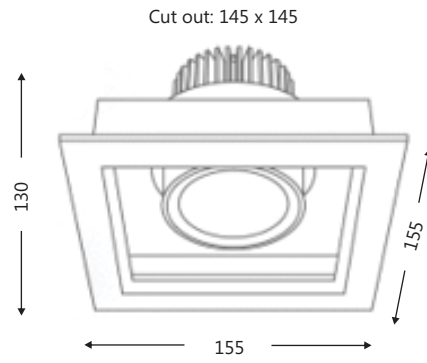
## OP-R12



Specs.	OP-R12
Max. Power	30 W x 2
LED	Bridgelux/Citizen
CCT	2700K/3000K/4000K/5000K
Lumen	5512 lm
CRI	≥ 80
Beam Angle	12°/24°/40°

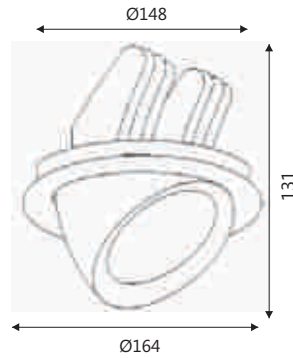
# RETAIL LIGHTS

## OP-R13



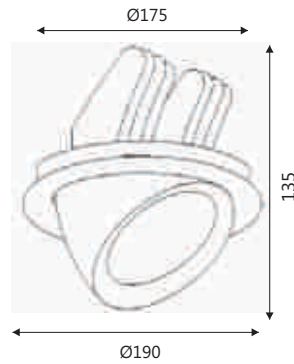
Specs.	OP-R13
Max. Power	30 W
LED	Bridgelux/Citizen
CCT	2700K/3000K/4000K/5000K
Lumen	2756 lm
CRI	≥ 80
Beam Angle	10°/24°/38°

## OP-R14



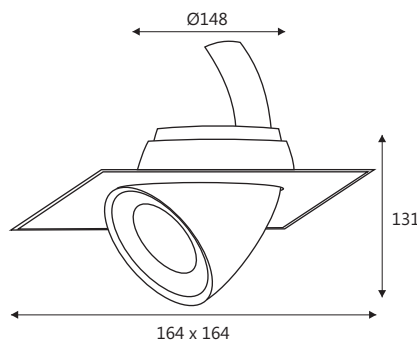
Specs.	OP-R14
Max. Power	25 - 30 W
LED	Bridgelux/Citizen
CCT	2700K/3000K/4000K
Lumen	2296 lm - 2756 lm
CRI	≥ 80
Beam Angle	15°/24°/40°

## OP-R15



Specs.	OP-R15
Max. Power	35 - 40 W
LED	Bridgelux/Citizen
CCT	2700K/3000K/4000K
Lumen	3850 lm - 4400 lm
CRI	≥ 80
Beam Angle	15°/24°/40°

## OP-R16

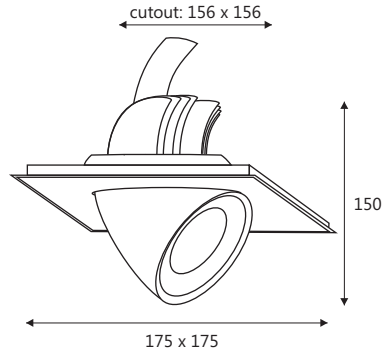


Specs.	OP-R16
Max. Power	30 - 40 W
LED	Bridgelux/Citizen
CCT	2700K/3000K/4000K
Lumen	3300 lm - 4400 lm
CRI	≥ 80
Beam Angle	12°/24°/40°

INDOOR LIGHTS

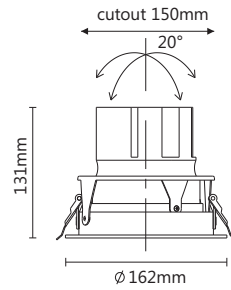
# RETAIL LIGHTS

## OP-R17



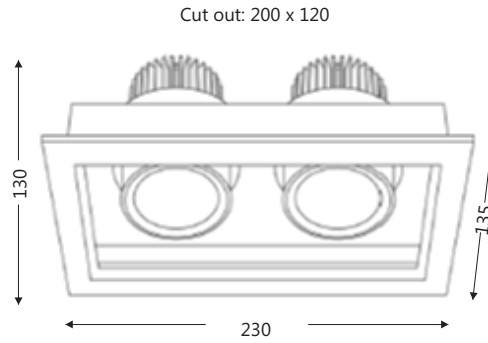
Specs.	OP-R17
Max. Power	35 - 40 W
LED	Bridgelux/Citizen
CCT	2700K/3000K/4000K
Lumen	3300 lm - 4400 lm
CRI	≥ 80
Beam Angle	15°/24°/40°

## OP-R18



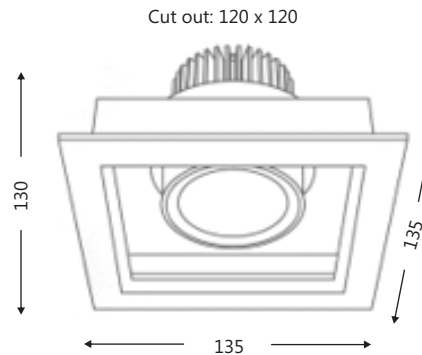
Specs.	OP-R18
Max. Power	30 W
LED	Bridgelux/Citizen
CCT	3000K/4000K/5000
Lumen	2400 ± 10%
CRI	≥ 80
Beam Angle	10°/24°/38°

## OP-R19



Specs.	OP-R19
Max. Power	2 x 30 W
LED	Bridgelux/Citizen
CCT	2700K/3000K/4000K
Lumen	600 lm
CRI	≥ 80
Beam Angle	15°/24°/38°

## OP-R20

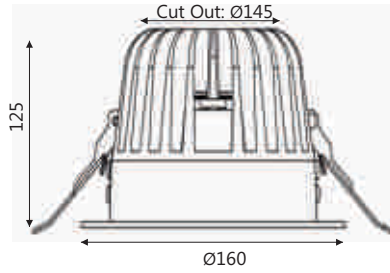


Specs.	OP-R20
Max. Power	30 W
LED	Bridgelux/Citizen
CCT	2700K/3000K/4000K
Lumen	2296 lm - 2756 lm
CRI	≥ 80
Beam Angle	12°/24°/38°



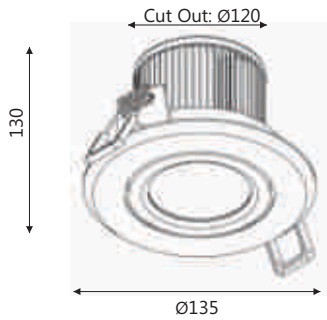
## RETAIL LIGHTS

### OP-R21



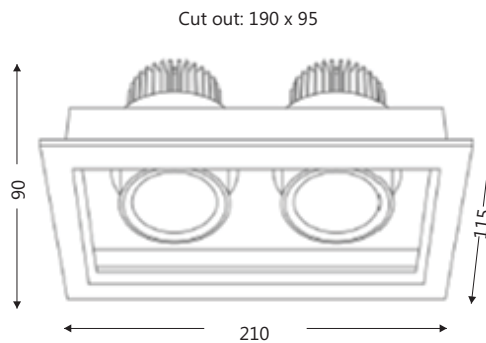
Specs.	OP-R21
Max. Power	40 W
LED	Bridgelux/Citizen
CCT	2700K/3000K/4000K
Lumen	4400 lm
CRI	≥ 80
Beam Angle	15°/24°/38°

### OP-R22



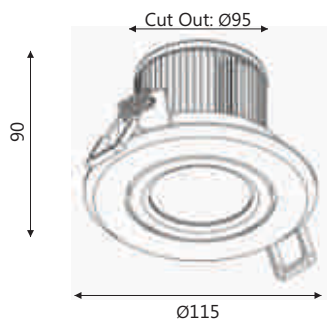
Specs.	OP-R22
Max. Power	30 W
LED	Bridgelux/Citizen
CCT	2700K/3000K/4000K
Lumen	3300 lm
CRI	≥ 80
Beam Angle	15°/24°/38°

### OP-R23



Specs.	OP-R23
Max. Power	2 x 12 W
LED	Bridgelux/Citizen
CCT	2700K/3000K/4000K
Lumen	2640 lm
CRI	≥ 80
Beam Angle	15°/24°/38°

### OP-R24



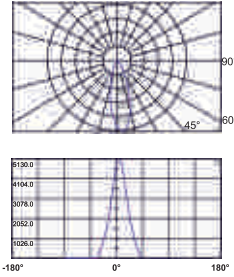
Specs.	OP-R24
Max. Power	12 W
LED	Bridgelux/Citizen
CCT	2700K/3000K/4000K
Lumen	1320 lm
CRI	≥ 80
Beam Angle	12°/24°/38°

INDOOR LIGHTS



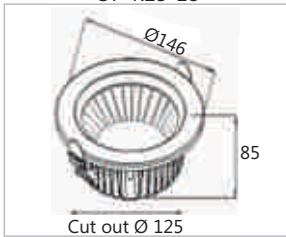
# RETAIL LIGHTS

## OP-R25

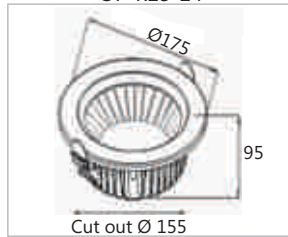


Specs.	OP-R25-18	OP-R25-24	OP-R25-30
Max. Power	18 W	24 W	30 W
LED	Bridgelux/Citizen		
CCT	2700K/3000K/4000K/5000K		
Lumen	1925 lm	2560 lm	3200 lm
CRI	≥ 80	≥ 80	≥ 80
Beam Angle	40°		

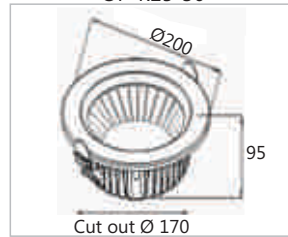
OP-R25-18



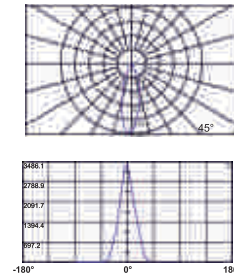
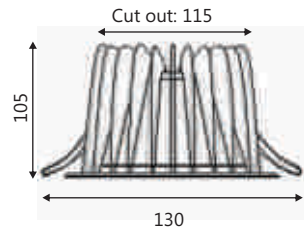
OP-R25-24



OP-R25-30

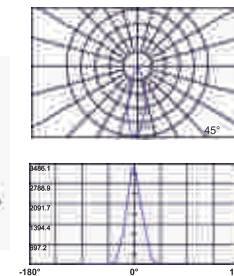
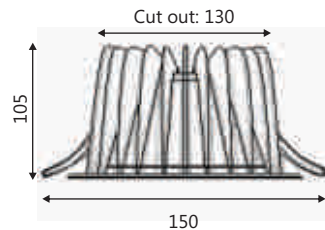


## OP-R26



Specs.	OP-R26
Max. Power	35 W
LED	Bridgelux/Citizen
CCT	2700K/3000K/4000K/5000K
Lumen	3745 lm
CRI	≥ 80
Beam Angle	24°/40°

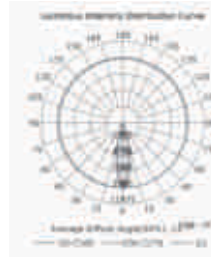
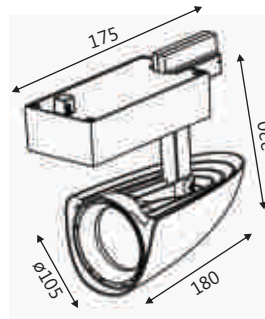
## OP-R27



Specs.	OP-R27
Max. Power	35 W
LED	Bridgelux/Citizen
CCT	2700K/3000K/4000K/5000K
Lumen	3745 lm
CRI	≥ 80
Beam Angle	24°/40°

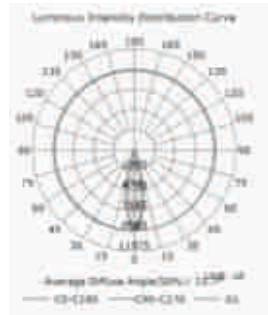
# TRACK LIGHTS

## OP-TL01



Specs.	OP-TL01
Max. Power	30-40 W
LED	Bridgelux/Citizen
CCT	3000K/4000K/5000K
Lumen	3400 lm
CRI	≥ 80
Beam Angle	12°/24°/40°

## OP-TL02

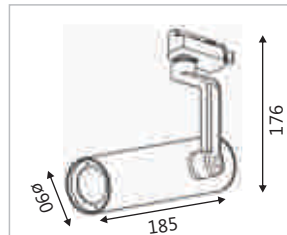
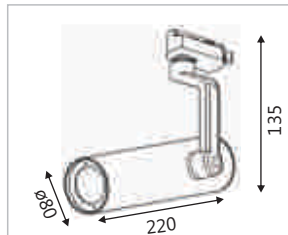
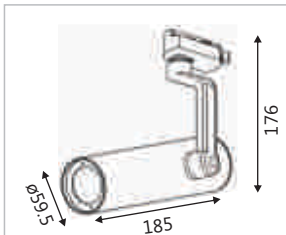


Specs.	OP-TL02-12	OP-TL02-20	OP-TL02-30
Max. Power	12 W	20 W	30 W
LED	Bridgelux/Citizen		
CCT	3000K/4000K/5000K		
Lumen	980 lm	1650 lm	2500 lm
CRI	≥ 80	≥ 80	≥ 80
Beam Angle	12°/24°/38°/60°		

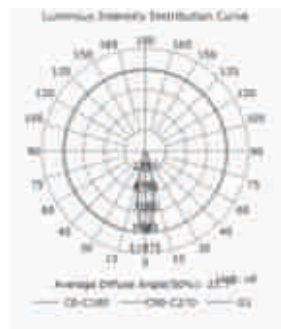
OP-TL02-12

OP-TL02-20

OP-TL02-30



## OP-TL03

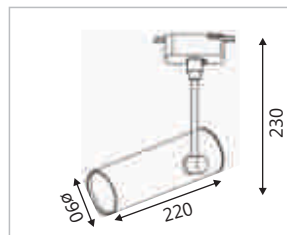
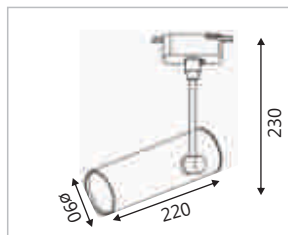
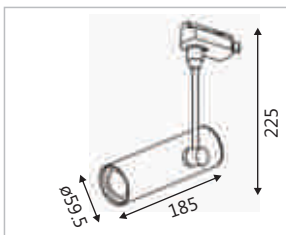


Specs.	OP-TL03-12	OP-TL03-20	OP-TL03-30
Max. Power	12 W	20 W	30 W
LED	Bridgelux/Citizen		
CCT	3000K/4000K/5000K		
Lumen	980 lm	1650 lm	2500 lm
CRI	≥ 80	≥ 80	≥ 80
Beam Angle	12°/24°/38°/60°		

OP-TL03-12

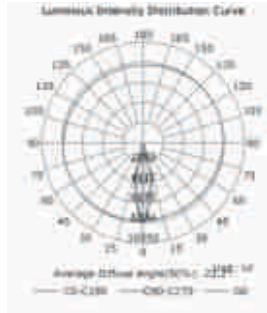
OP-TL03-20

OP-TL03-30



# TRACK LIGHTS

## OP-TL04

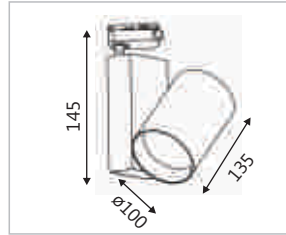
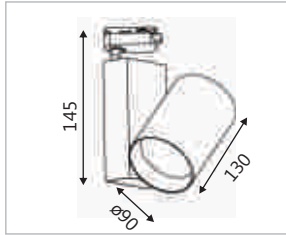
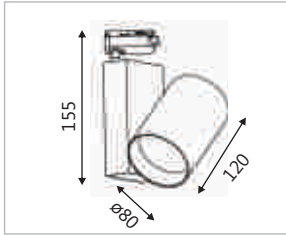


Specs.	OP-TL04-20	OP-TL03-30	OP-TL03-40
Max. Power	20 W	30 W	40 W
LED	Bridgelux/Citizen		
CCT	3000K/4000K/5000K		
Lumen	1650 lm	2500 lm	3400 lm
CRI	≥ 80	≥ 80	≥ 80
Beam Angle	12°/24°/38°/60°		

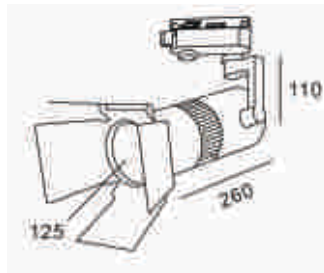
OP-TL04-20

OP-TL04-30

OP-TL04-40



## OP-TL05



Specs.	OP-TL05
Max. Power	30 - 35 W
LED	Bridgelux/Citizen
CCT	3000K/4000K/5000K
Lumen	2400 lm - 2900 lm
CRI	≥ 80
Beam Angle	10°/24°/38°

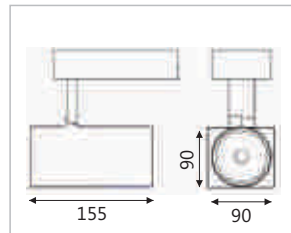
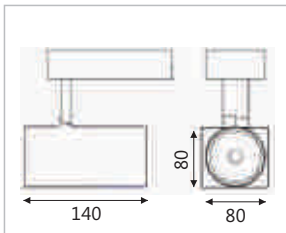
## OP-TL06



Specs.	OP-TL06-30	OP-TL06-40
Max. Power	30 W	40 W
LED	Bridgelux/Citizen	
CCT	3000K/4000K/5000K	
Lumen	2400 lm	3400 lm
CRI	≥ 80	≥ 80
Beam Angle	24°	

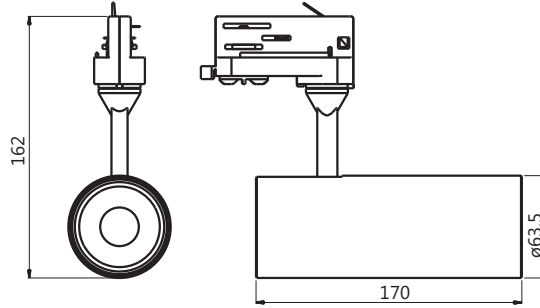
OP-TL06-30

OP-TL06-40



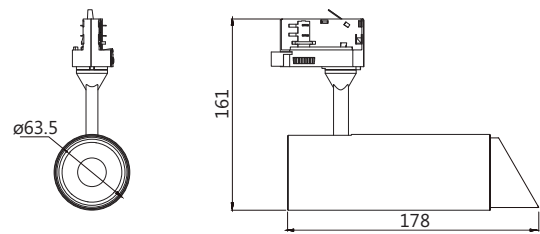
# TRACK LIGHTS

## OP-TL07



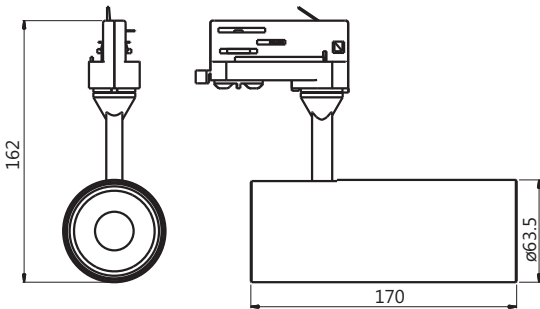
Specs.	OP-TL07
Max. Power	20 W
LED	Bridgelux/Cree
CCT	2700K/3000K/4000K
Lumen	2200 lm
CRI	≥ 80
Beam Angle	24°

## OP-TL08



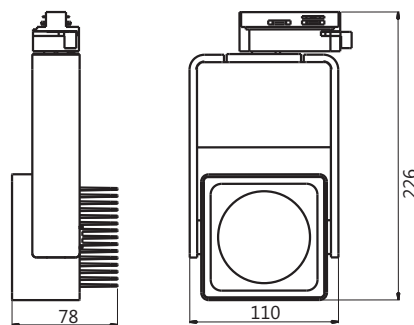
Specs.	OP-TL08
Max. Power	8/10 W
LED	Cree
CCT	2700K/3000K/4000K/5000K
Lumen	400 lm
CRI	≥ 80
Beam Angle	15°/24°/38°

## OP-TL09



Specs.	OP-TL09
Max. Power	20/30 W
LED	Bridgelux/Cree
CCT	2700K/3000K/4000K/5000K
Lumen	2200 lm - 3300 lm
CRI	≥ 80
Beam Angle	15°/24°/38°

## OP-TL10



Specs.	OP-TL10
Max. Power	20/30 W
LED	Cree
CCT	2700K/3000K/4000K/5000K
Lumen	2200 lm - 3300 lm
CRI	≥ 80
Beam Angle	15°/24°/38°

INDOOR LIGHTS

## TRACK LIGHTS

### OP-TL11



Specs.	OP-TL11-10	OP-TL11-20	OP-TL11-30
Max. Power	10 W	20 W	30 W
LED	Cree		
CCT	3000K/4000K/6000K		
Lumen	700 lm	2200 lm	3300 lm
CRI	≥ 80	≥ 80	≥ 80
Beam Angle	24°/30°/40°		
Dimensions	ø55 x H-195	ø65 x H-230	ø75 x H-270

### OP-TL12



Specs.	OP-TL12-10	OP-TL12-20	OP-TL12-30
Max. Power	10 W	20 W	30 W
LED	Cree		
CCT	3000K/4000K/6000K		
Lumen	700 lm	2200 lm	3300 lm
CRI	≥ 80	≥ 80	≥ 80
Beam Angle	24°/30°/40°		
Max. Power	ø55 x H-130 + ø82 x H63	ø65 x H-150 + ø82 x H70	ø75 x H-160 + ø82 x H64



SHAPING SMART LIGHTING

Optol Technologies Pvt. Ltd.  
99, Old Prabhadevi Road  
Prabhadevi, Mumbai-25

T: +91-22-24309536, 24378735

E: [info@optoltech.com](mailto:info@optoltech.com)

W: [www.optoltech.com](http://www.optoltech.com)